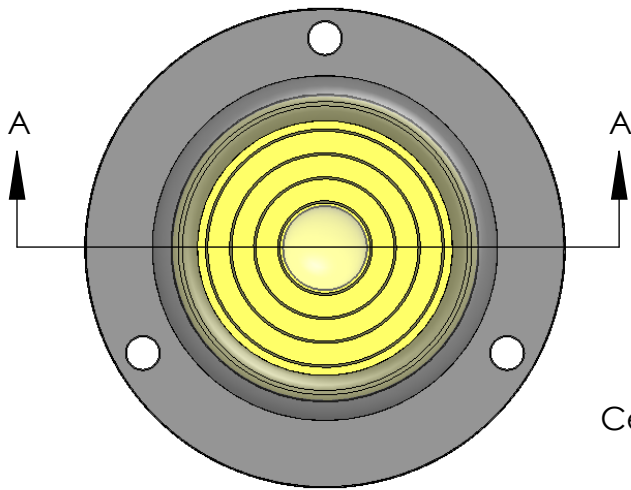
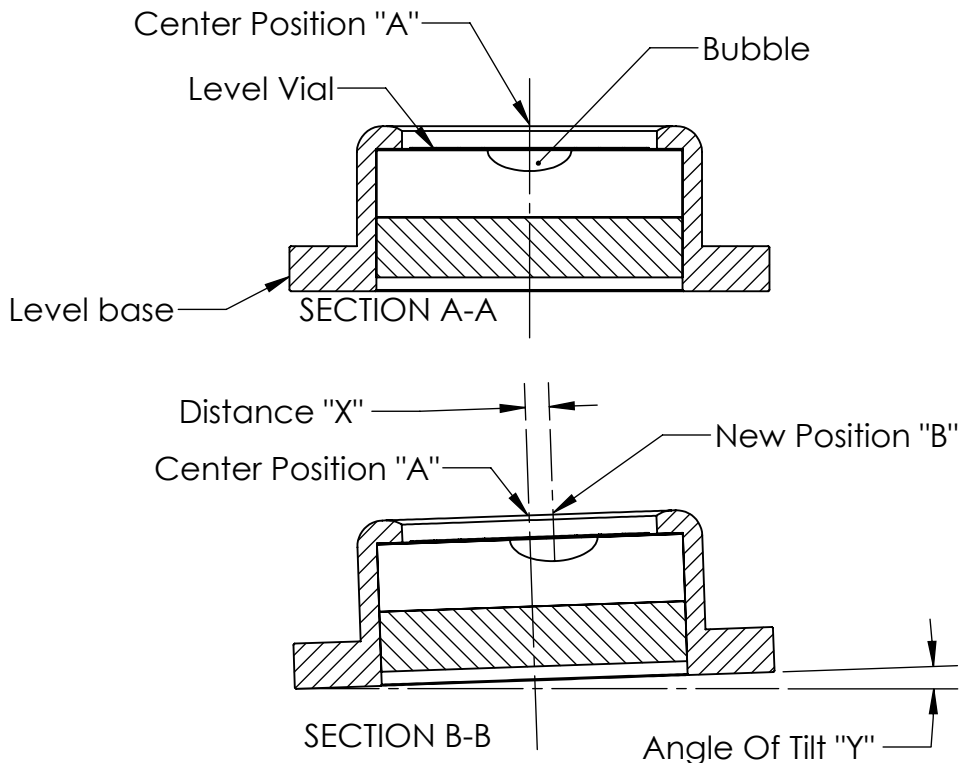
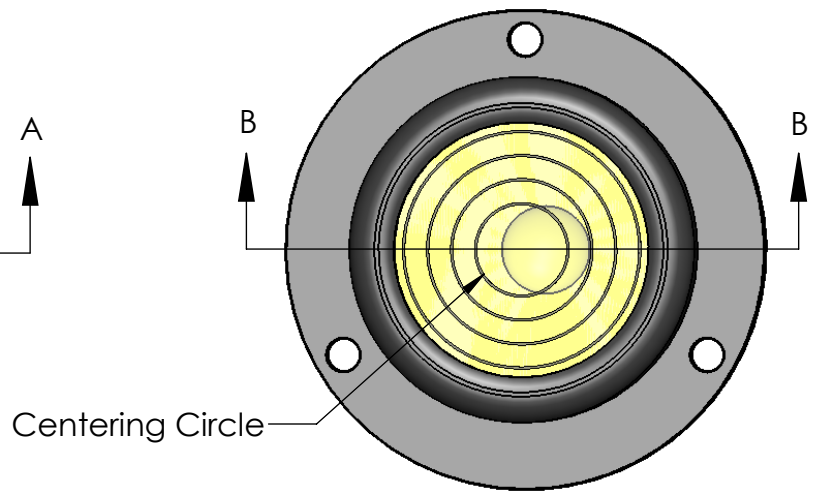


# Sensitivity - Circular Level Part # 2-20011

CIRCULAR LEVEL UNTILTED



CIRCULAR LEVEL TILTED  
ONE GRADUATION



In the above example, Geier & Bluhm part # 2-20011 is shown.

The angle "Y" required to move the bubble one graduation is 1 degree. Therefore, the sensitivity of this level is said to be 1 degree.

The sensitivity tolerance is  $\pm 10\%$ , and since there are three concentric rings around the centering circle, the range of this level is three degrees.