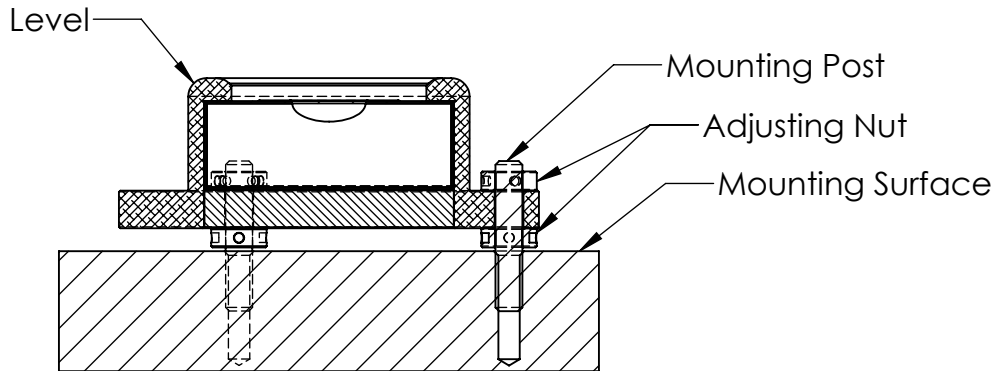
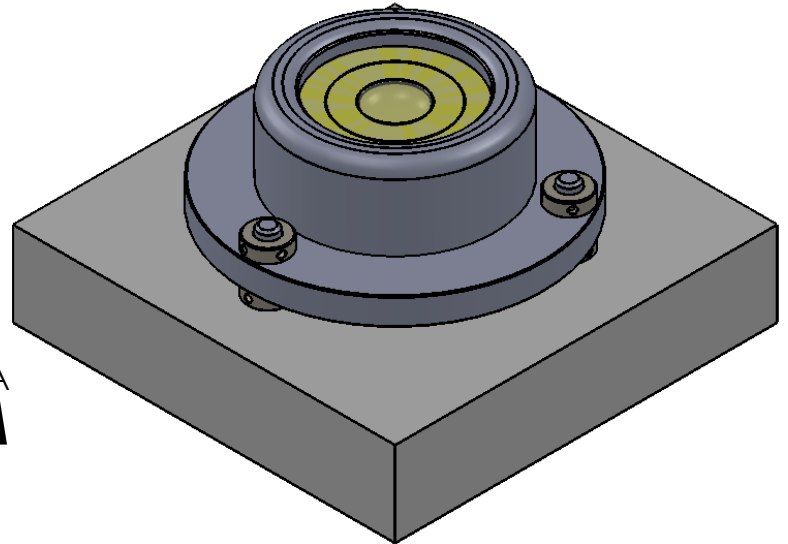
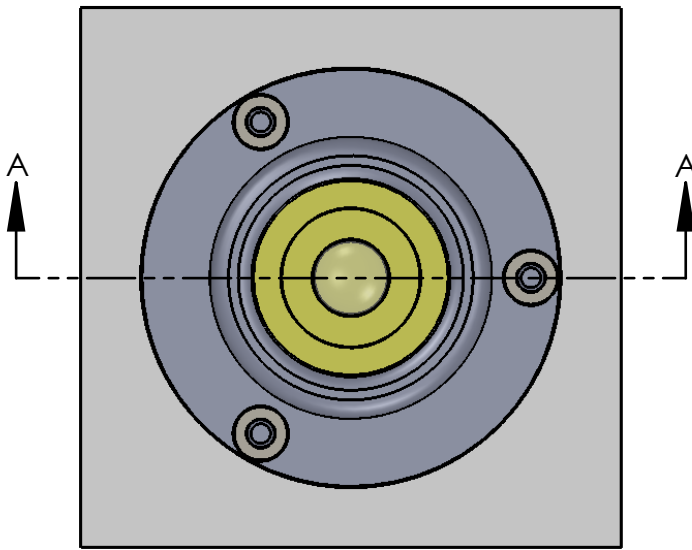


## Mounting Instructions - Circular Level Using Adjusting Nuts



SECTION A-A



1. Please read instructions completely prior to installing the level.
2. The mounting surface should be relatively flat.
3. The mounting surface should have three tapped holes 120° apart.
4. Position the piece of equipment on to which the level is to be mounted in a level position with respect to the horizontal plane.
5. Attach the level to the mounting surface using three mounting posts and six adjusting nuts as shown above.
6. Adjust the level into the level position using the adjusting nuts until the bubble is in the center of the centering circle.
7. Be sure to tighten the adjusting nuts evenly to avoid damaging the level.
8. To insure the level does not move due to loose adjusting nuts, apply a thread locking material to the posts. Use a non-permanent thread locking material if you wish to remove and/or replace the level at a later date.