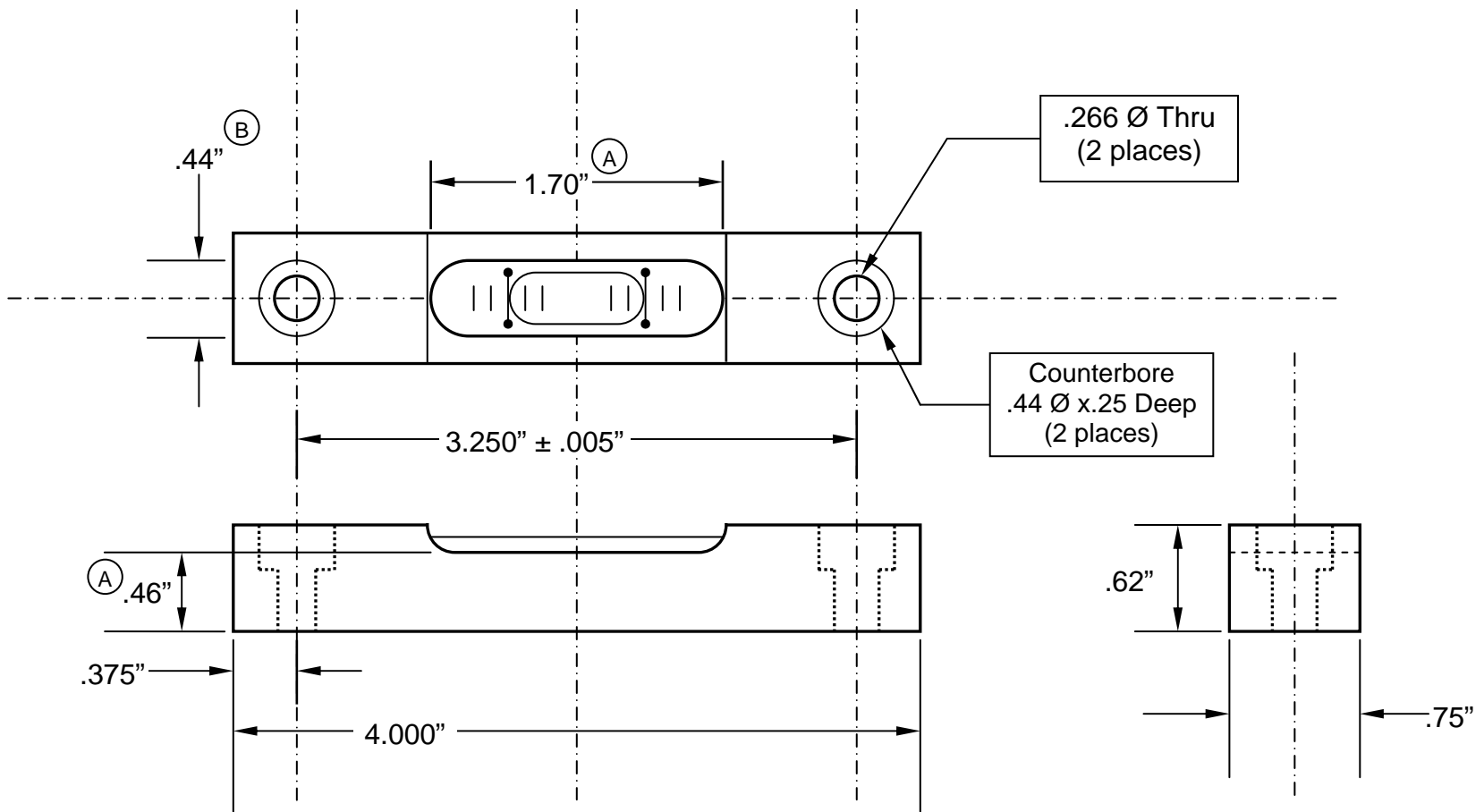


**Sensitivity:**  
90 seconds per Division  $\pm$  10%

SYMBOL	REVISION RECORD	DATE	AUTH.
<b>A</b>	1.70" was 1.43", .41" was .37", add 1.74" mill-cut add .46" depth, remove chamfer on vial opening.	4/28/1989	V.J.C.
<b>B</b>	Redrawn, Revised Notes, .44" was .41"	3/17/2007	D.B.O.

- NOTES:**
- (1) All dimensions are inches
  - (2) Division Spacing is .100"
  - (3) Graduations are Red Ceramic Paint
  - (4) Color of Fluid: Clear



**GEIER & BLUHM, INC.**  
594 River Street  
Troy, New York 12180  
U.S.A.  
TEL: 518-272-6951  
FAX: 518-272-0533

**TOLERANCES:** ( Except as noted )  
Decimal: XX  $\pm$  .02"  
          XXX  $\pm$  .015"  
Angular :  $\pm$  2 degree  
**SCALE:** NONE

**MATERIAL:**  
Housing: Aluminum  
Vial: Glass  
**Protective Finish on Housing:**  
Black Anodizing

Drawn by: David Oster	DATE: February 3, 1989
<b>TUBULAR LEVEL</b>	DRAWING NUMBER
	<b>4 - 4037</b>