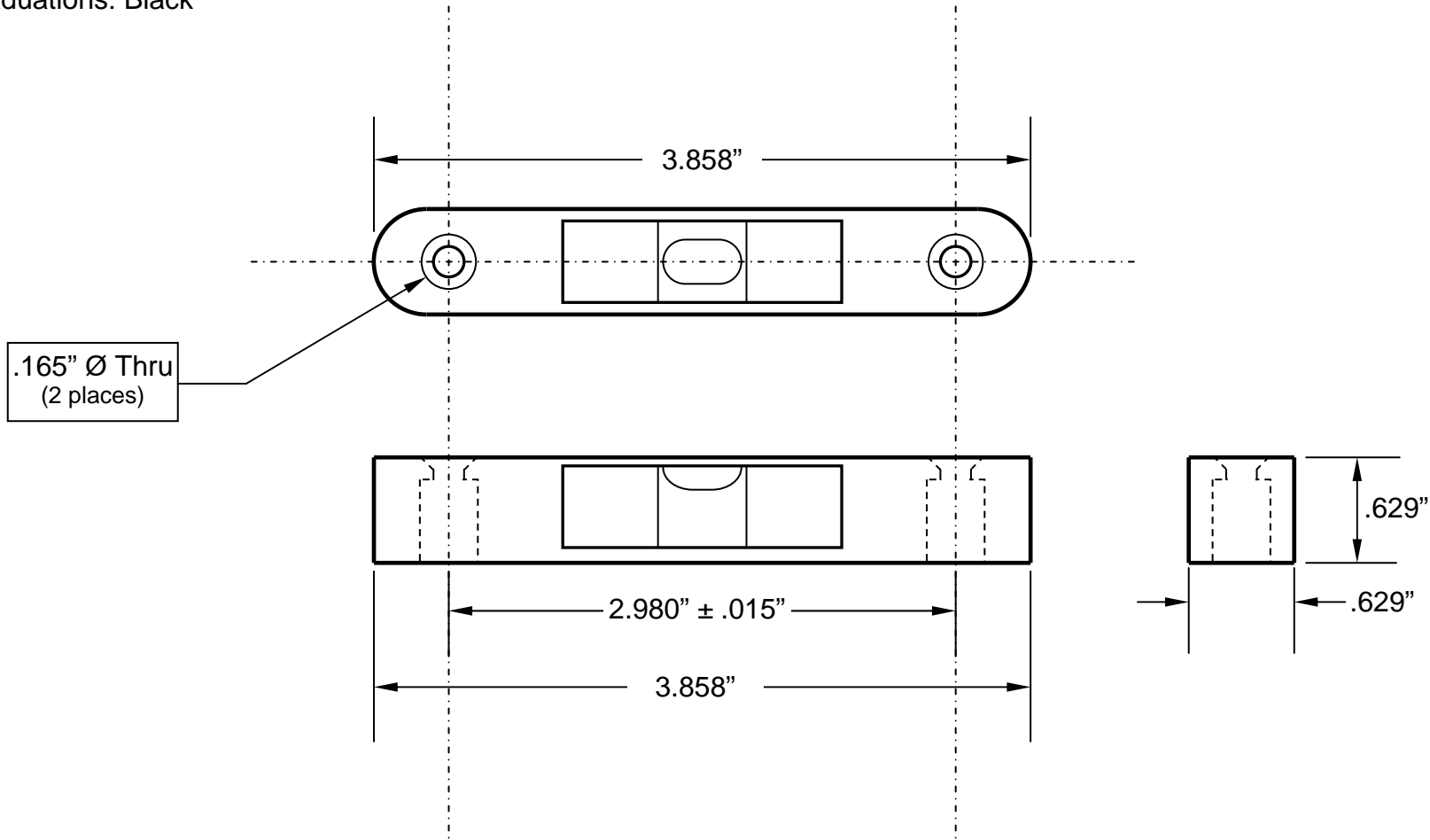


SENSITIVITY
 30 Minutes for each 2 mm displacement of the bubble.
 Sensitivity Tolerance: \pm 10 Minutes

SYMBOL	REVISION RECORD

DATE	AUTH.

NOTES:
 (1) All dimensions are in inches
 (2) Graduations: Black



GEIER & BLUHM, INC.
 594 River Street
 Troy, New York 12180
 U.S.A.
 TEL: 518-272-6951
 FAX: 518-272-0533

TOLERANCES:
 (Except as noted)
 Decimal: \pm .030 inch
 Angular : \pm 1/2 degree
SCALE: NONE

MATERIAL:
 Vial: Plastic, Clear
FLUID: Yellow-Green

DRAWN BY: DAVID OSTER
TUBULAR LEVEL

DATE: July 30, 2009
 DRAWING NUMBER
4-3500