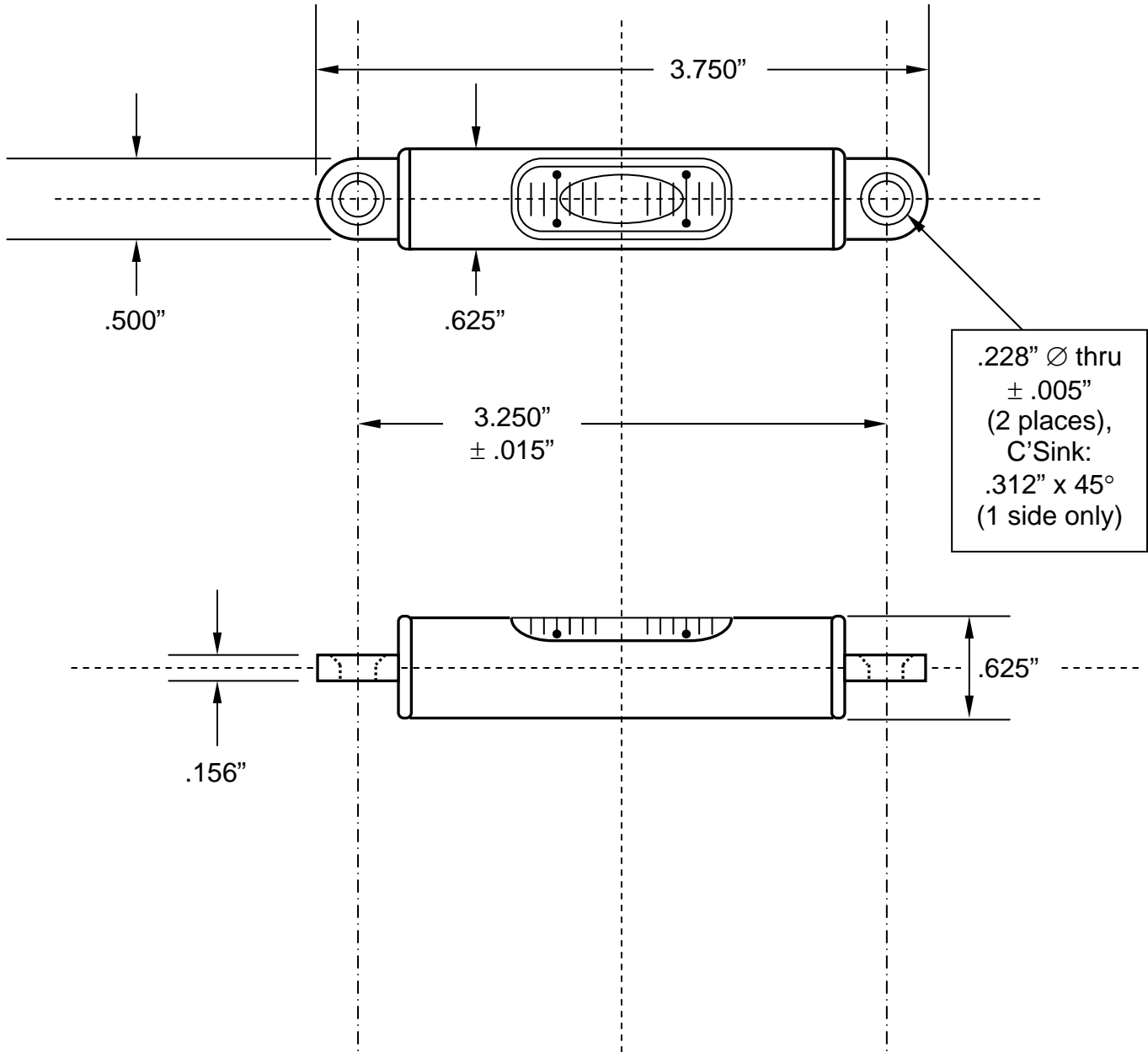


SYMBOL	REVISION REQUIRED	DATE	AUTH.

Notes: 1. Sensitivity: 10 seconds per Division Tolerance on sensitivity: + 5 seconds – 0 seconds. 2. All Dimensions are in inches	Tolerances: (except as noted) 3 plcs. Decimal: $\pm .010''$ Fractional: $\pm 1/64''$ Angular: $\pm 1/2^\circ$	Material: Housing: Brass Vial: Glass Fluid: Clear Finish: Housing: Black Lacquer
------------------------------------------------------------------------------------------------------------------------------------------------------	--------------------------------------------------------------------------------------------------------------------------------------	-----------------------------------------------------------------------------------------------------------------------



GEIER & BLUHM, INC. 594 River Street Troy, NY 12180 USA	DRAWN BY: DAVID OSTER	DATE: September 29, 2004
	Scale: NONE TUBULAR LEVEL	DRAWING NUMBER 4-3080