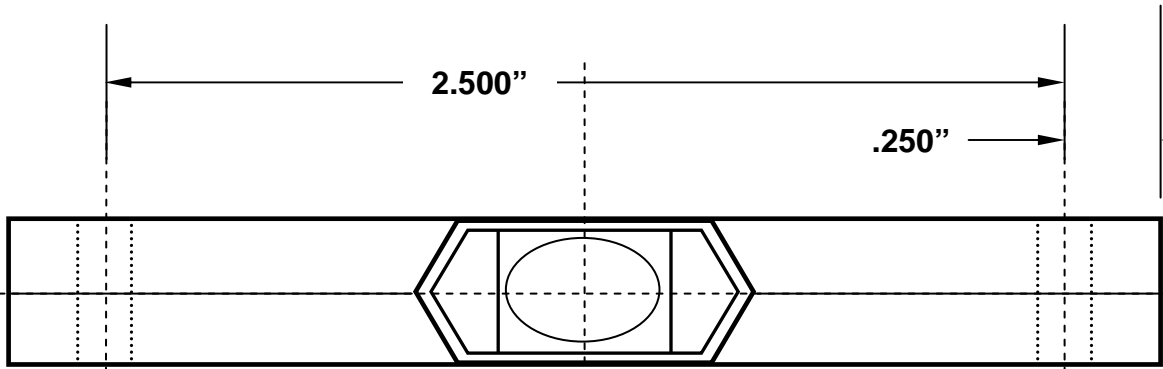


NOTES:

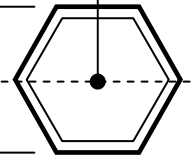
1. Sensitivity: 30 to 50 minutes / .1"
2. FLUID: Yellow-Green Methanol

SYMBOL	REVISION REQUIRED	DATE	AUTH.

TOP VIEW



Aluminum End Plug
(2 places)

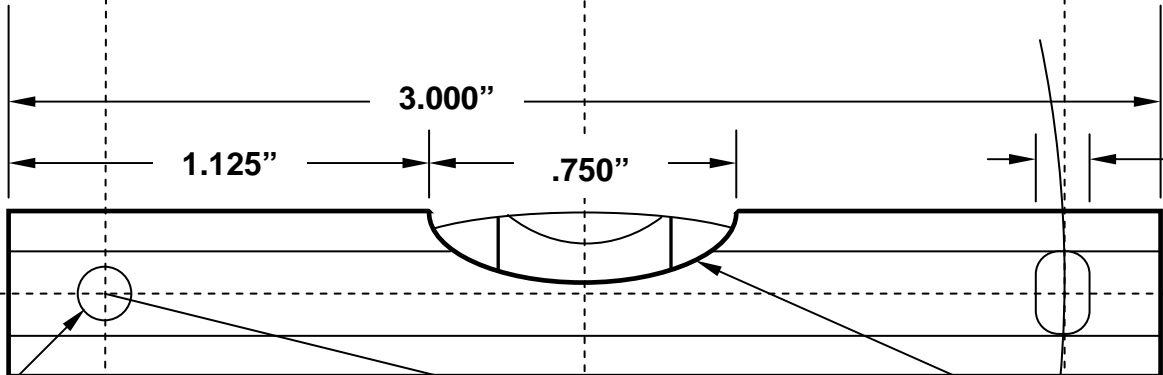


END VIEW

3/8" Across the Flats

Width of Slot: .142" ± .003"

SIDE VIEW



Length of Slot:
.200" ± .010"

142" Ø Hole
± .003"

2.500" R

.500" R

GEIER & BLUHM, INC.
594 River Street
Troy, NY 12180 USA

Tolerances:
Decimal 2 pls.: ± .02"
Decimal 3 pls.: ± .015"
Angular: ± 1°
Fractions: ± 1/64"

Material:
Housing – Aluminum
Vial – Glass
Protective Finish:
Black Anodized

DRAWN BY: DAVID OSTER
Scale: NONE
MOUNTED TUBULAR LEVEL
for Vertical Surface Mounting

DATE: June 1, 2005
DRAWING NUMBER

4 - 3075