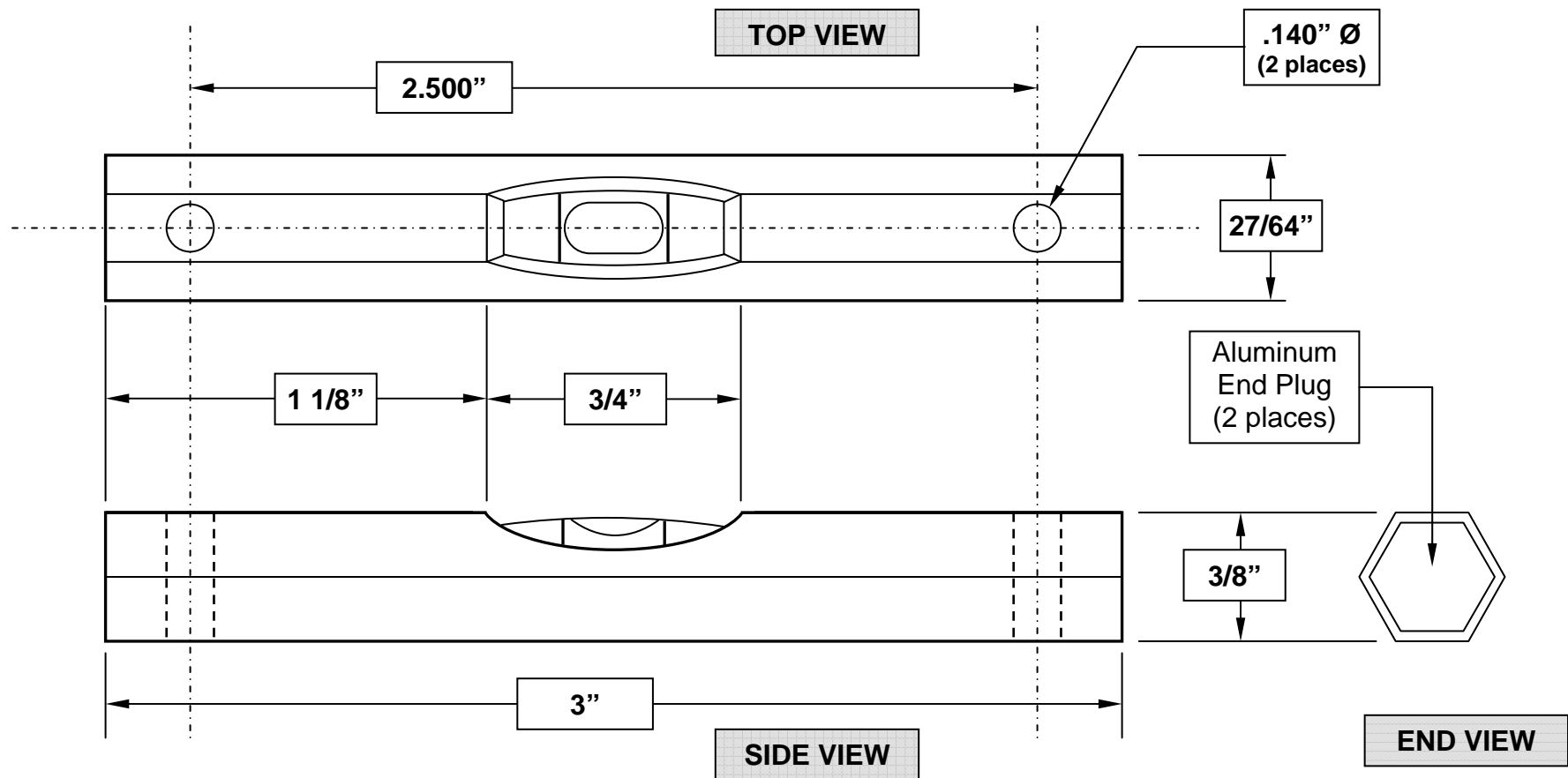


SYMBOL	REVISION REQUIRED	DATE	AUTH.
A	Added note 1	8/24/1982	R.L.O.
B	Redrawn and revised notes	8/20/2003	D.B.O.

Notes: 1. Sensitivity: 30 to 50 minutes/.1" 2. All Dimensions are in inches	Tolerances: Decimal: $\pm .010''$ Fractional: $\pm 1/64''$ Angular: $\pm 1/2^\circ$	Material: Housing: Aluminum Hex Tube Vial: Glass Finish: Black Anodize Fluid: Yellow-Green
--	---	---



GEIER & BLUHM, INC.
 594 River Street
 Troy, NY 12180 USA

DRAWN BY: DAVID OSTER
 Scale: NONE
**MOUNTED TUBULAR
 SURFACE LEVEL**

DATE: August 20, 2003
 DRAWING NUMBER

4 - 3038