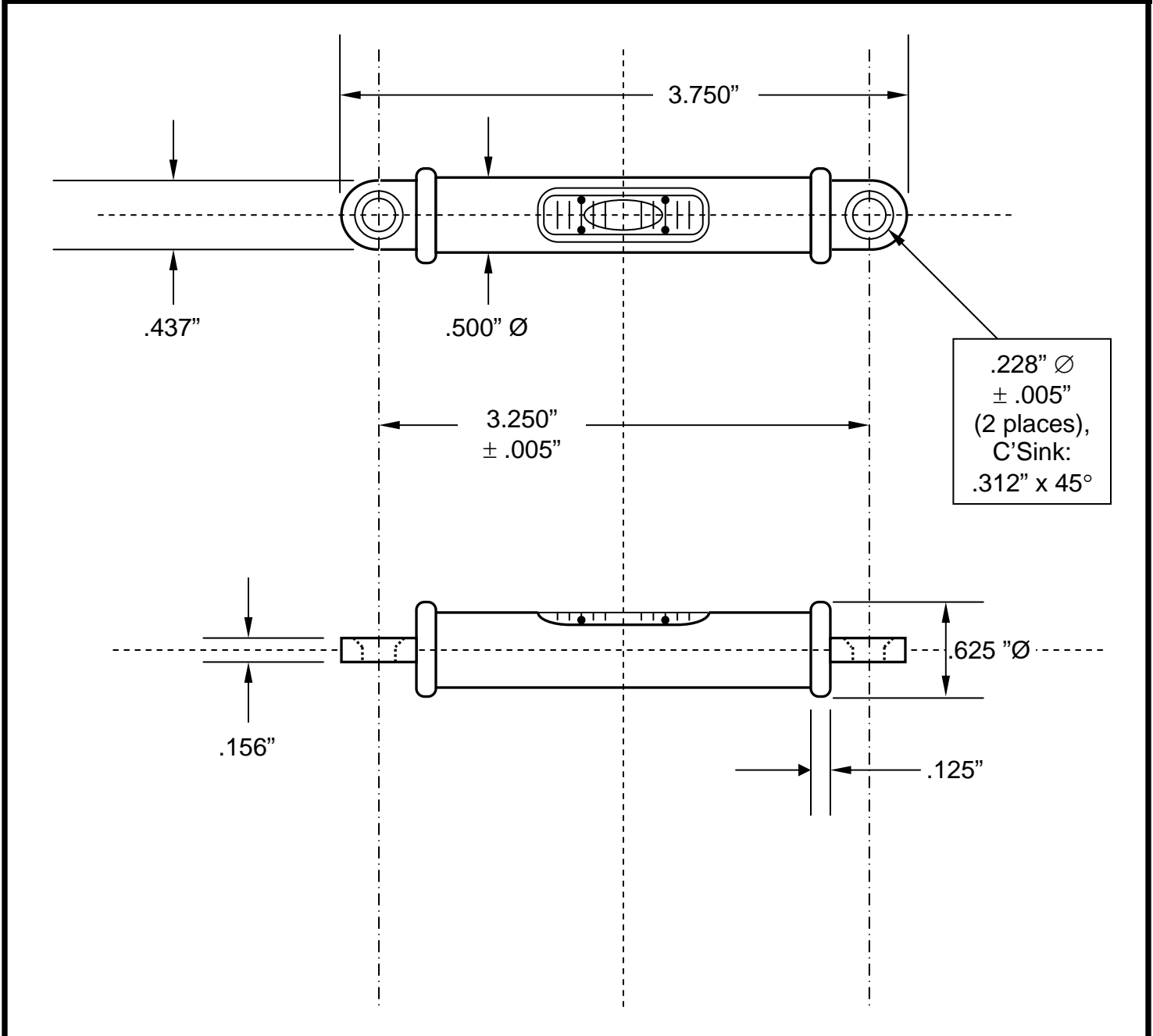


SYMBOL	REVISION REQUIRED	DATE	AUTH.
A	Redrawn	4/15/1997	D.B.O.
B	Redrawn, Eliminate screw heads	5/18/2004	D.B.O.

Notes: 1. Sensitivity: 20 seconds per Division Tolerance on sensitivity: + 5 seconds, - 2 seconds 2. All Dimensions are in inches 3. Operating Temperature: -54°C to + 55°C	Tolerances: (except as noted) Decimal: $\pm .010''$ Fractional: $\pm 1/64''$ Angular: $\pm 1/2^\circ$	Material: Housing: Brass Vial: Glass Fluid: Clear Finish: Housing: Black Lacquer
---	--	--



GEIER & BLUHM, INC. 594 River Street Troy, NY 12180 USA	DRAWN BY: DAVID OSTER	DATE: June 4, 1969
	Scale: NONE TUBULAR LEVEL	DRAWING NUMBER 4-3032