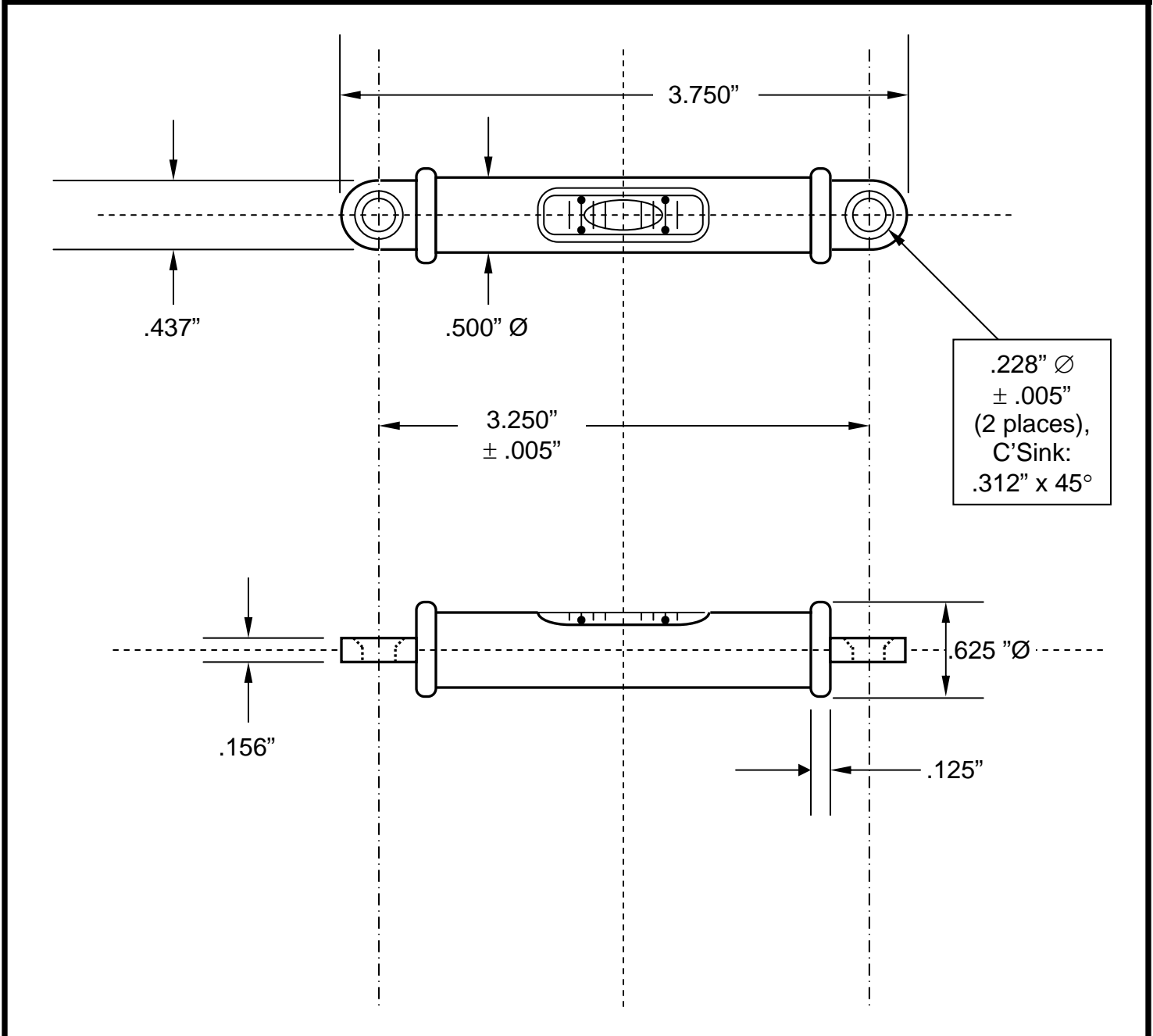


SYMBOL	REVISION REQUIRED	DATE	AUTH.
A	Redrawn	4/15/1997	D.B.O.
B	Redrawn, Eliminate screw heads	5/18/2004	D.B.O.

<b>Notes:</b> 1. Sensitivity: 60 seconds per Division Tolerance on sensitivity: $\pm 10\%$ 2. All Dimensions are in inches 3. Operating Temperature: -54°C to + 55°C	<b>Tolerances:</b> (except as noted) 3 plcs. Decimal: $\pm .010''$ Fractional: $\pm 1/64''$ Angular: $\pm 1/2^\circ$	<b>Material:</b> Housing: Brass Vial: Glass  <b>Fluid:</b> Clear <b>Finish:</b> Housing: Black Lacquer
---	--	---



GEIER & BLUHM, INC. 594 River Street Troy, NY 12180 USA	DRAWN BY: DAVID OSTER	DATE: June 4, 1969
	Scale: NONE <b>TUBULAR LEVEL</b>	DRAWING NUMBER <b>4-3017</b>