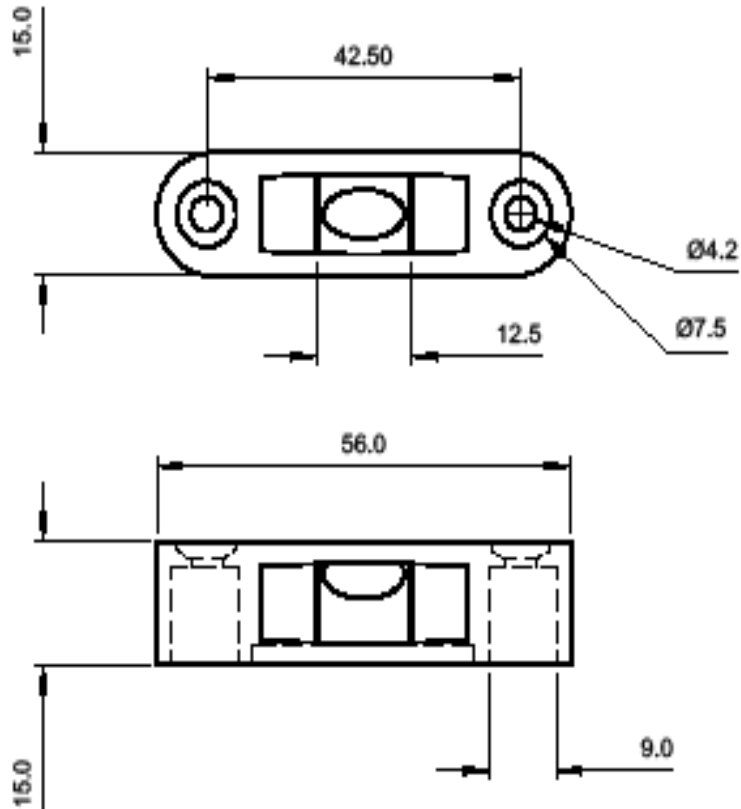


SENSITIVITY
 30 Minutes for each 2 millimeters
 displacement of the bubble.
 Sensitivity Tolerance: \pm 10 Minutes

SYMBOL	REVISION RECORD	DATE	AUTH.



ALL DIMENSIONS ARE IN MILLIMETERS

GEIER & BLUHM, INC.
 594 River Street
 Troy, New York 12180
 U.S.A.
 TEL: 518-272-6951
 FAX: 518-272-0533

TOLERANCES: (Except as noted)
 XX. \pm 1.0 mm
 XX.X \pm 0.25 mm
 XX.XX \pm 0.1 mm

SCALE: NONE

MATERIAL: Acrylic
 block with
 hydrocarbon fluid

FLUID: Yellow-
 Green

DRAWN BY: DAVID OSTER

DATE: July 28, 2009
 DRAWING NUMBER

**TUBULAR
 LEVEL**

4-2511

