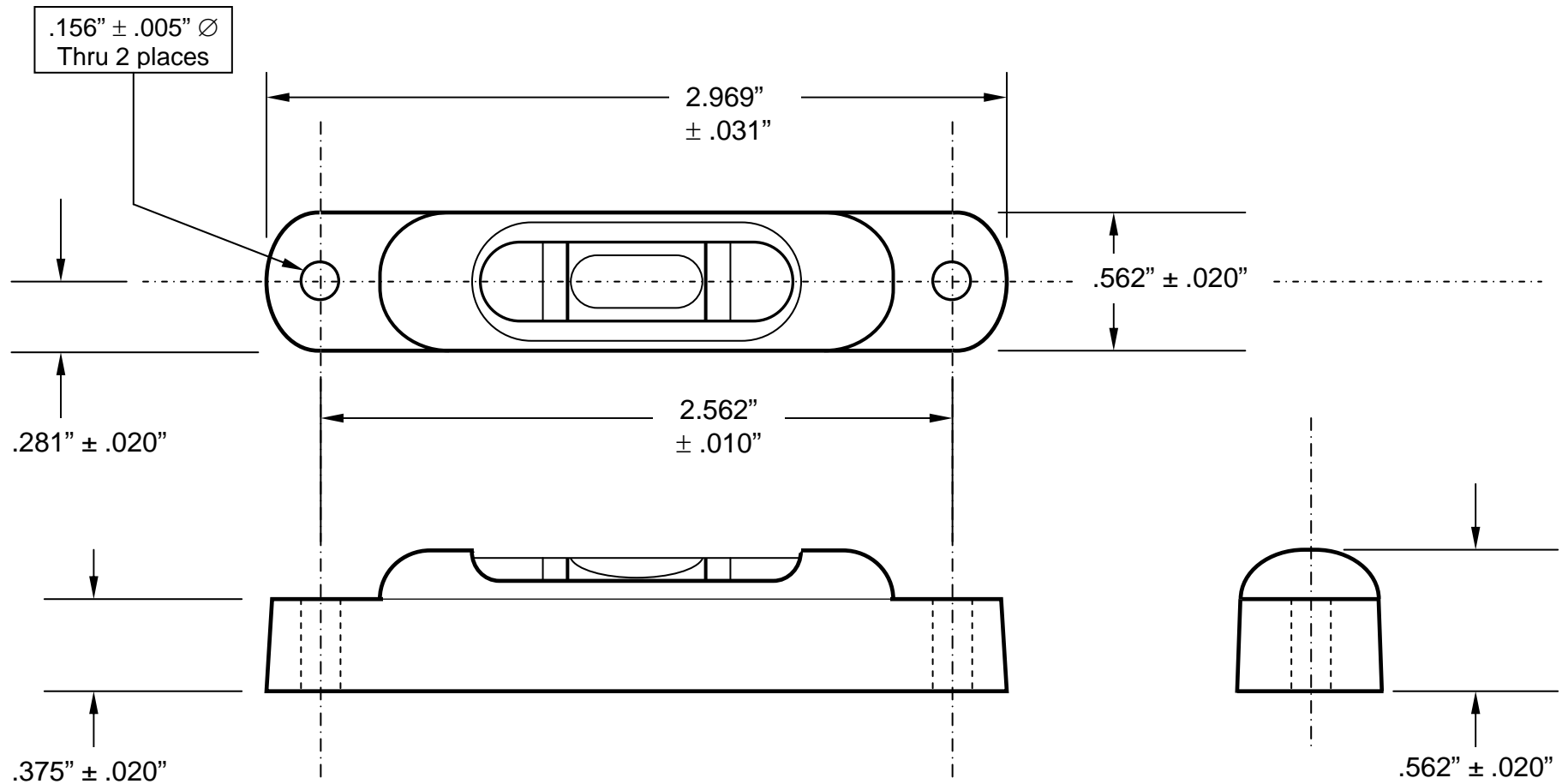


NOTES:	SYMBOL	REVISION REQUIRED	DATE	AUTH.
1. Sensitivity: 45 minutes per .1" movement of the bubble Tolerance: $\pm 5$ min.	<b>A</b>	Added two (2) graduations	4/24/2008	D.B.O.
2. All dimensions are in inches.				



<b>GEIER &amp; BLUHM, INC.</b> Division of HJM Precision, Inc. 594 River Street Troy, New York 12180 U.S.A.	<b>TOLERANCES:</b> ( Except as noted ) Decimal: $\pm .010''$ Fractional: $\pm 1/64''$ Angular : $\pm 1/2$ degree	<b>FINISH:</b> None	DRAWN BY: DAVID OSTER	DATE: March 22, 2007
		<b>MATERIAL:</b> Housing: Polycarbonate, Black Vial: Acrylic Fluid: Yellow-Green	<b>SCALE:</b> NONE	DRAWING NUMBER
<b>Tubular Level</b>			<b>4 - 2504</b>	