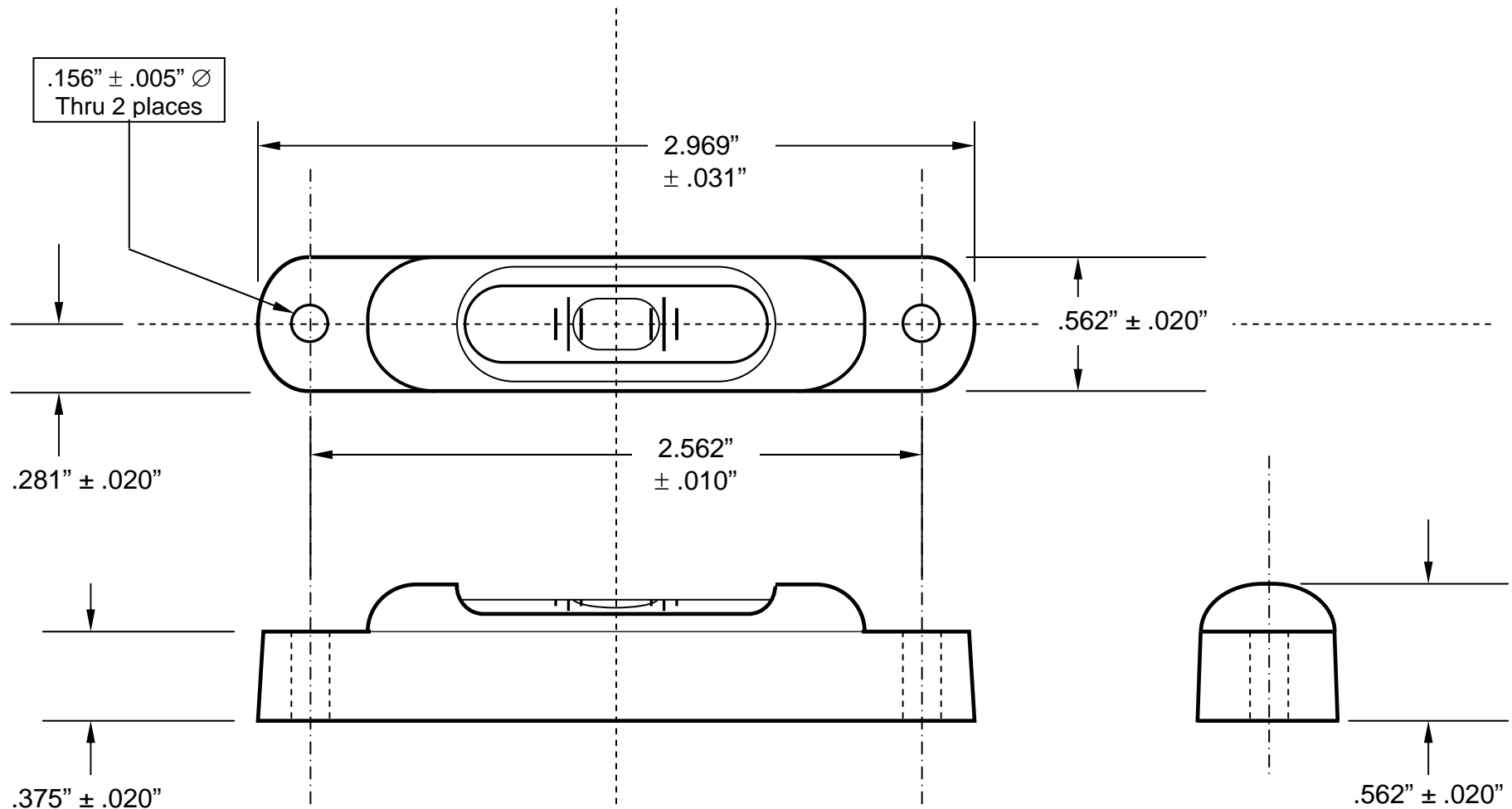


NOTES:	SYMBOL	REVISION REQUIRED	DATE	AUTH.
1. Sensitivity: 9.5 minutes per Division (.050"), Tolerance: ± 2 min.				
2. All dimensions are in inches.				



GEIER & BLUHM, INC. 594 River Street Troy, New York 12180 U.S.A. TEL: 518-272-6951 FAX: 518-272-0533	TOLERANCES: (Except as noted) Decimal: $\pm .010''$ Fractional: $\pm 1/64''$ Angular : $\pm 1/2$ degree	FINISH: None	DRAWN BY: DAVID OSTER	DATE: March 22, 2007
		MATERIAL: Housing: Polycarbonate Vial: Glass Fluid: Clear	SCALE: NONE	DRAWING NUMBER
Tubular Level			4 - 2503	