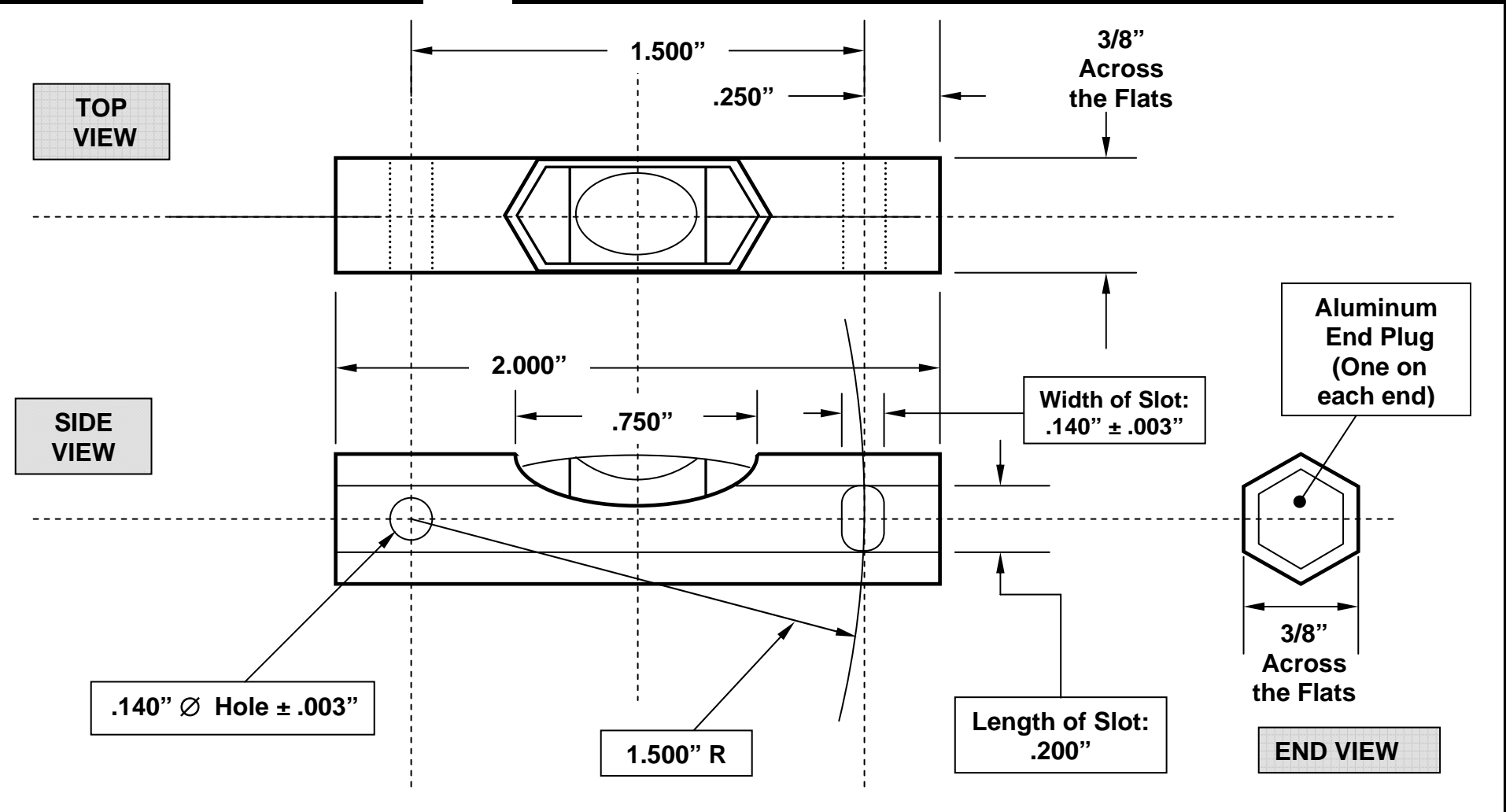


NOTES:

1. Sensitivity: 30 to 50 minutes / .1"
2. FLUID: Yellow-Green Methanol
3. Protective Finish: Black Anodize

SYMBOL	REVISION REQUIRED	DATE	AUTH.
A	Radius was .750"	3/18/1983	K.E.H.
B	Redrawn	12/2/1987	V.J.C.
C	Redrawn	5/12/2005	D.B.O.
D	Redrawn and eliminated .500" Radius	2/7/2008	D.B.O.



GEIER & BLUHM, INC.
 594 River Street
 Troy, NY 12180 USA
 T: 518-272-6951
 F: 518-272-0533

Tolerances:
 Decimal 2 pls.: ± .02"
 Decimal 3 pls.: ± .010"
 Angular: ± 1°
 Fractions: ± 1/64"

Material:
 Housing : Aluminum
 Vial- Glass

DRAWN BY: DAVID OSTER
 Scale: NONE
MOUNTED TUBULAR LEVEL
 for Vertical Surface Mounting

DATE: December 2, 1987
 DRAWING NUMBER
4-2060