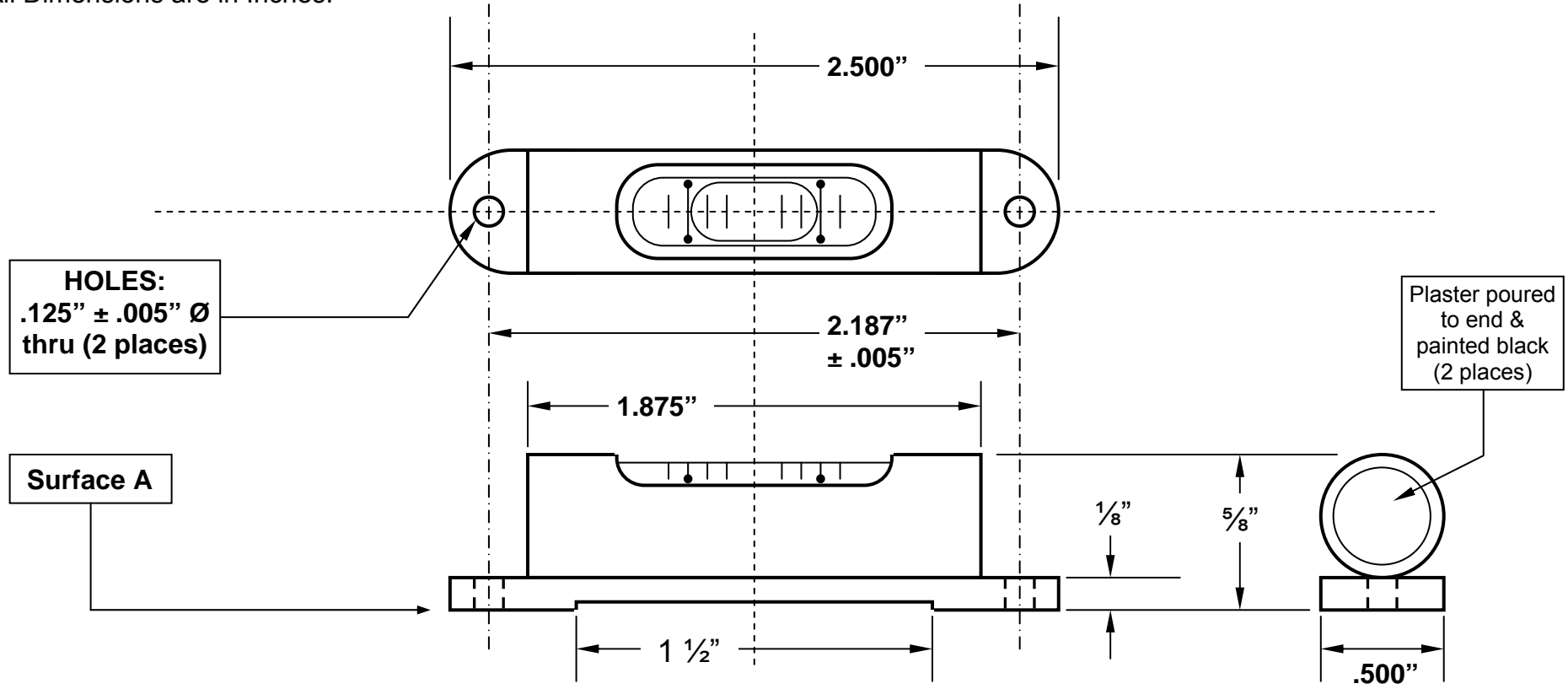


<b>SENSITIVITY</b>
60 Seconds for each Division
Sensitivity Tolerance: $\pm 6$ seconds (Division Spacing is 2 mm)

<b>SYMBOL</b>	<b>REVISION RECORD</b>	<b>DATE</b>	<b>AUTH.</b>
<b>A</b>	Redrawn and Added Notes	11/21/2005	D.B.O.

**NOTES:**

- (1) Graduations: Black Baked Ceramic
- (2) Bubble Length: same as shown at 70° F to 75° F
- (3) Protective Finish on Housing: Black Lacquer Paint
- (4) Surface "A" has a relief approximately 1/32" deep.
- (5) Fluid Color: Clear
- (6) All Dimensions are in Inches.



<b>GEIER &amp; BLUHM, INC.</b> 594 River Street Troy, New York 12180 U.S.A. TEL: 518-272-6951 FAX: 518-272-0533	<b>TOLERANCES:</b> ( Except as noted ) Decimal: $\pm .010$ inch Fractional: $\pm 1/32$ " Angular : $\pm 1/2$ degree	<b>MATERIAL:</b> Vial: Glass Housing: Brass	DRAWN BY: DAVID OSTER	DATE: November 21, 2005
	<b>SCALE:</b> NONE	<b>FLUID:</b> Methanol	<b>PLATE LEVEL</b>	<b>DRAWING NUMBER</b> <b>4-2050</b>