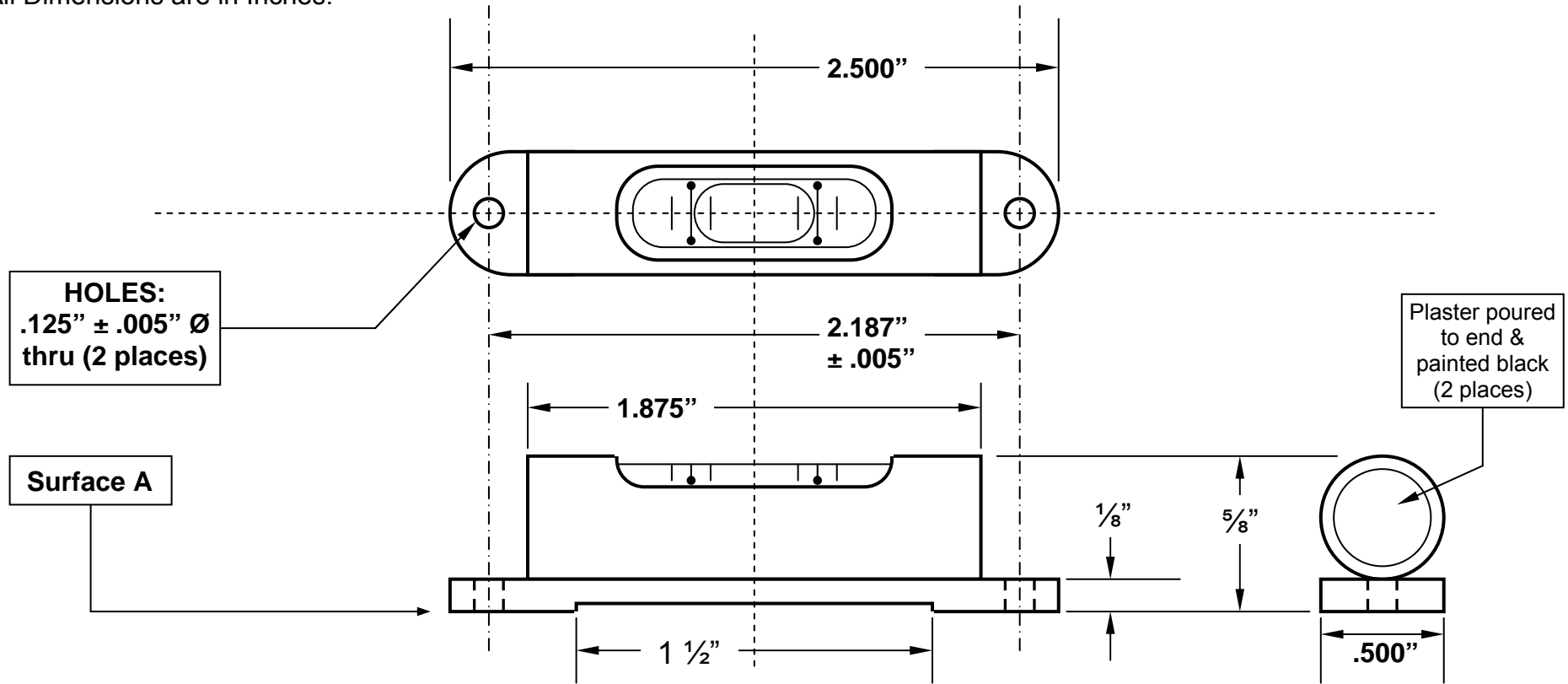


SENSITIVITY 30 Seconds for each Division Sensitivity Tolerance: ± 5 seconds (Division Spacing is 2 mm)	SYMBOL	REVISION RECORD	DATE	AUTH.
	A	Redrawn and Added Notes	11/21/2005	D.B.O.

NOTES:

- (1) Graduations: Black Baked Ceramic
- (2) Bubble Length: same as shown at 70° F to 75° F
- (3) Protective Finish on Housing: Black Lacquer Paint
- (4) Surface "A" has a relief approximately 1/32" deep.
- (5) Fluid Color: Clear
- (6) All Dimensions are in Inches.



GEIER & BLUHM, INC. 594 River Street Troy, New York 12180 U.S.A. TEL: 518-272-6951 FAX: 518-272-0533	TOLERANCES: (Except as noted) Decimal: $\pm .010$ inch Fractional: $\pm 1/32$ " Angular : $\pm 1/2$ degree	MATERIAL: Vial: Glass Housing: Brass	DRAWN BY: DAVID OSTER	DATE: November 21, 2005
			PLATE LEVEL	
	SCALE: NONE	FLUID: Methanol		