

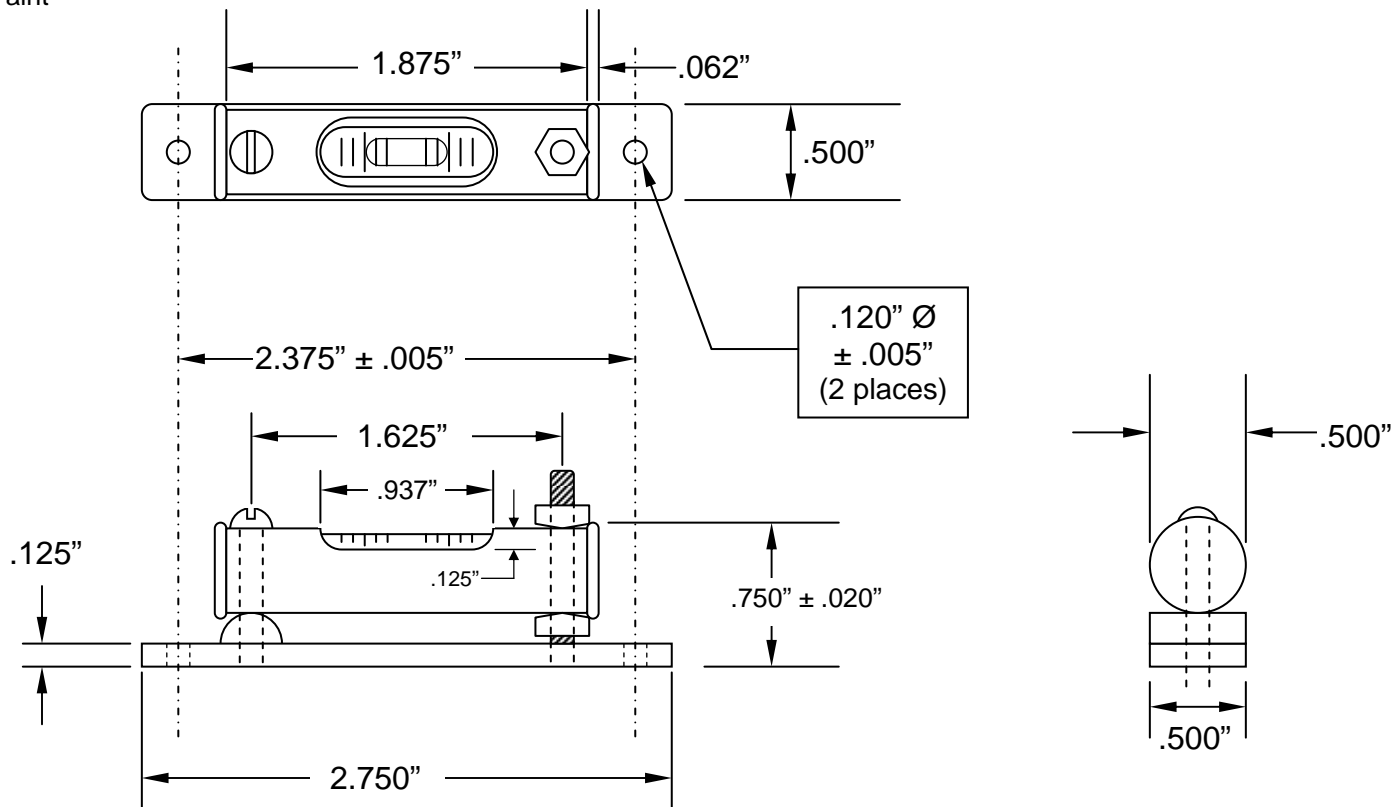
SENSITIVITY
3 Minutes per division (.060")
Sensitivity Tolerance: ± 1 Minute

SYMBOL	REVISION RECORD
A	Redrawn

DATE	AUTH.
7/17/2008	D.B.O.

NOTES:

- (1) ALL DIMENSIONS ARE IN INCHES
- (2) FLUID: Clear Methanol
- (3) Protective Finish on Housing and Base: Black Lacquer Paint



GEIER & BLUHM, INC.
 594 River Street
 Troy, New York 12180
 U.S.A.
 TEL: 518-272-6951
 FAX: 518-272-0533

TOLERANCES:
 (Except as noted)
 Decimal: $\pm .010$ inch
 Angular : $\pm 1/2$ degree
SCALE: NONE

MATERIAL:
 Vial: Glass
 Housing: Brass
 Base: Brass
 Hardware: Brass

DRAWN BY: DAVID OSTER
LEVEL, TUBULAR
 (PLATE LEVEL)

DATE: July 18, 2008
DRAWING NUMBER
4-2012