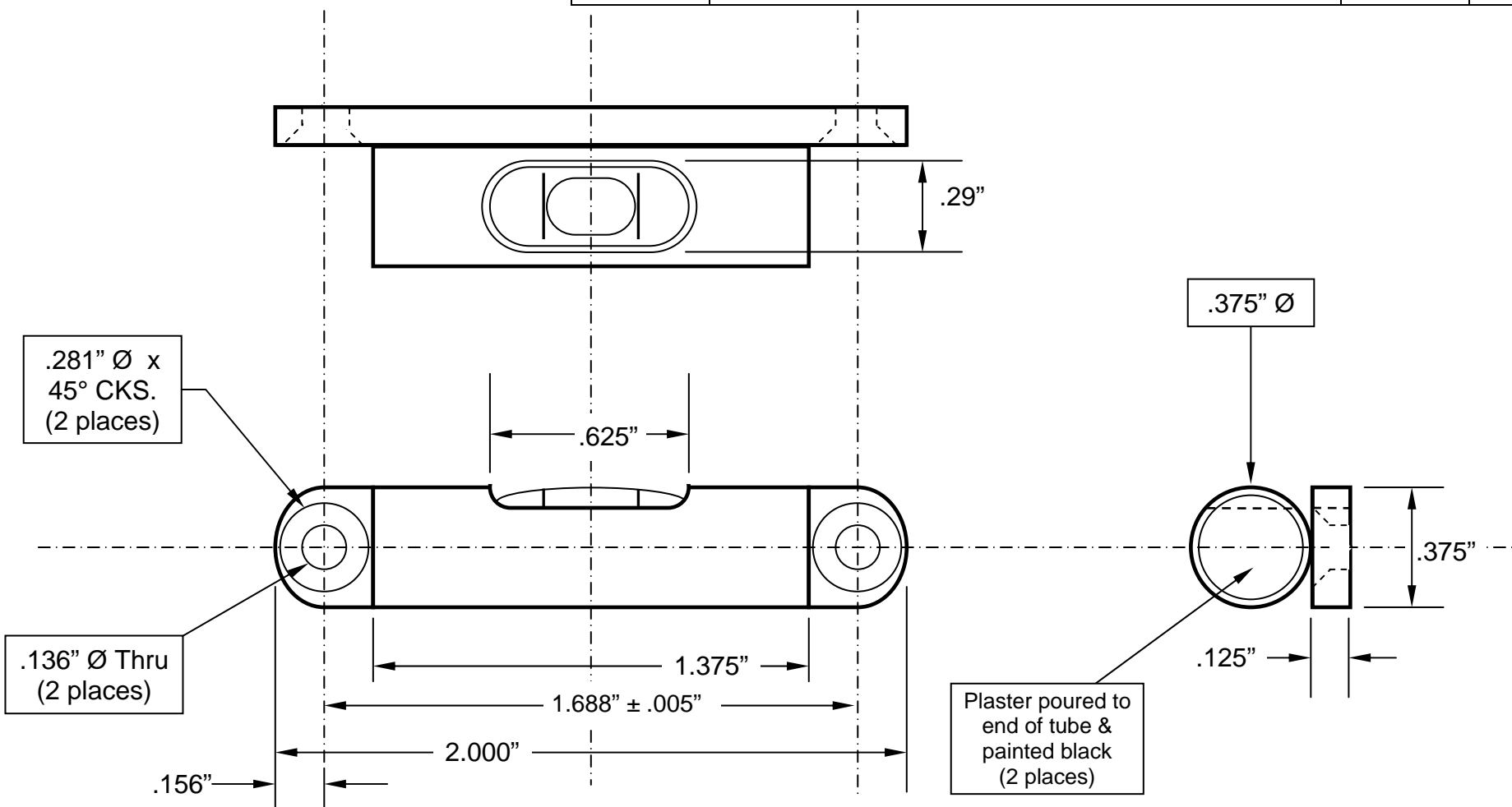


- NOTES:** (1) All Dimensions in inches  
 (2) Protective Finish: Black Lacquer Paint  
 (3) Sensitivity: 35 minutes per .1 inch ( $\pm 5$  min.)  
 (4) Graduations are Black Ceramic  
 (5) Fluid is clear

SYMBOL	REVISION RECORD	DATE	AUTH.
<b>A</b>	Redrawn and added notes	7/9/1982	R.L.O.
<b>B</b>	Redrawn, added notes, eliminated brass plug	3/7/2007	D.B.O.



**GEIER & BLUHM, INC.**  
 594 River Street  
 Troy, New York 12180  
 U.S.A.  
 TEL: 518-272-6951  
 FAX: 518-272-0533

**TOLERANCES:**  
 ( Except as noted )  
 Decimal:  $\pm .010$ "  
 Fractional  $\pm 1/64$ "  
 Angular :  $\pm 1$  degree

**MATERIAL:**  
 Housing: Brass  
 Vial: Glass  
**SCALE: NONE**

Drawn by: David Oster

DATE: August 1, 2005

**MOUNTED TUBULAR LEVEL**  
**for**  
**Vertical Surface Mounting**

DRAWING  
 NUMBER

**4 - 2009**