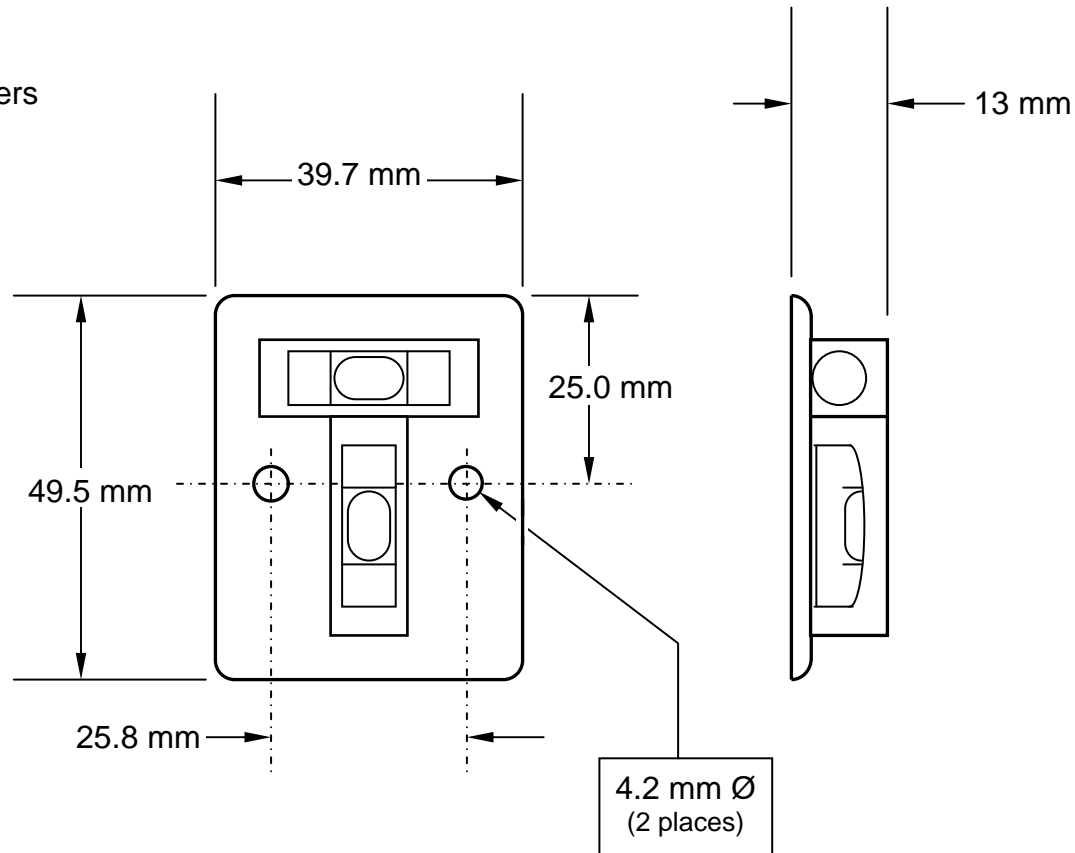


SENSITIVITY
40 Minutes for each 2 mm displacement of the bubble.
Sensitivity Tolerance: \pm 15 Minutes

SYMBOL	REVISION RECORD	DATE	AUTH.
A	Redrawn and revised notes	5/3/2007	D.B.O.

NOTES:

- (1) Graduations: Black
- (2) Fluid Color: Yellow-Green
- (3) Base is Black Plastic
- (4) Vials are Clear Plastic
- (5) All dimensions are in millimeters



GEIER & BLUHM, INC.
 594 River Street
 Troy, New York 12180
 U.S.A.
 TEL: 518-272-6951
 FAX: 518-272-0533

TOLERANCES:
 (Except as noted)
 xx. \pm 1.0 mm
 xx.x \pm 0.25 mm
SCALE: NONE

MATERIAL:

FLUID:

DRAWN BY: DAVID OSTER
TUBULAR LEVEL

DATE: May 3, 2007
DRAWING NUMBER
4-1501