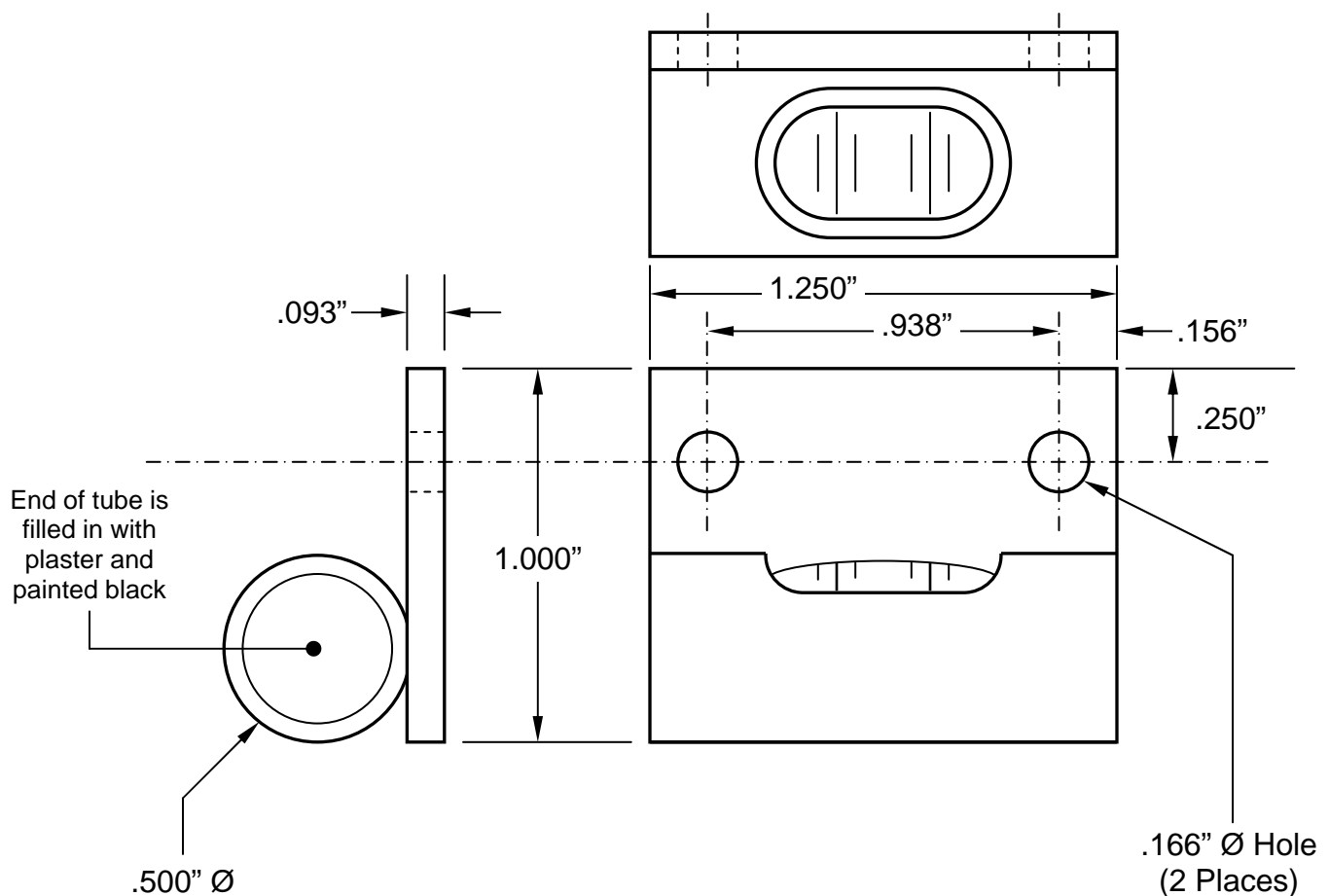


SYMBOL	REVISION REQUIRED	DATE	AUTH.
A	Redrawn	8/15/2006	D.B.O.

<b>Notes:</b> 1. Sensitivity: 150 seconds per 0.1" movement of the bubble Division Spacing: .050" Tolerance on sensitivity: $\pm 10\%$ 2. All Dimensions are in inches	<b>Tolerances:</b> 3 plcs. Decimal: $\pm .010''$ 2 plcs. Decimal: $\pm .02''$ Fractional: $\pm 1/64''$ Angular: $\pm 1/2^\circ$	<b>Material:</b> Housing: Brass Vial: Glass  <b>Fluid:</b> Clear <b>Finish:</b> Housing: Black Lacquer
--	---	---



GEIER & BLUHM, INC. 594 River Street Troy, NY 12180 USA	DRAWN BY: DAVID OSTER	DATE: May 15, 1995
	Scale: NONE	DRAWING NUMBER
	<b>TUBULAR LEVEL</b> <b>for Vertical Surface Mounting</b>	<b>4-1048</b>