

SYMBOL	REVISION REQUIRED	DATE	AUTH.
A	Add note and tolerances	7/08/1982	R.L.O.
B	Redrawn	7/09/1982	R.L.O.
C	Redrawn and revised notes	7/05/2004	D.B.O.
D	Redrawn	1/8/2008	D.B.O.

Notes:

1. All Dimensions in inches
2. SENSITIVITY: 1 minutes per division
Range: ± 6 minutes. Tolerance on sensitivity is $\pm 15\%$.
3. Part or all of the finish maybe removed from Surface "X" during calibration

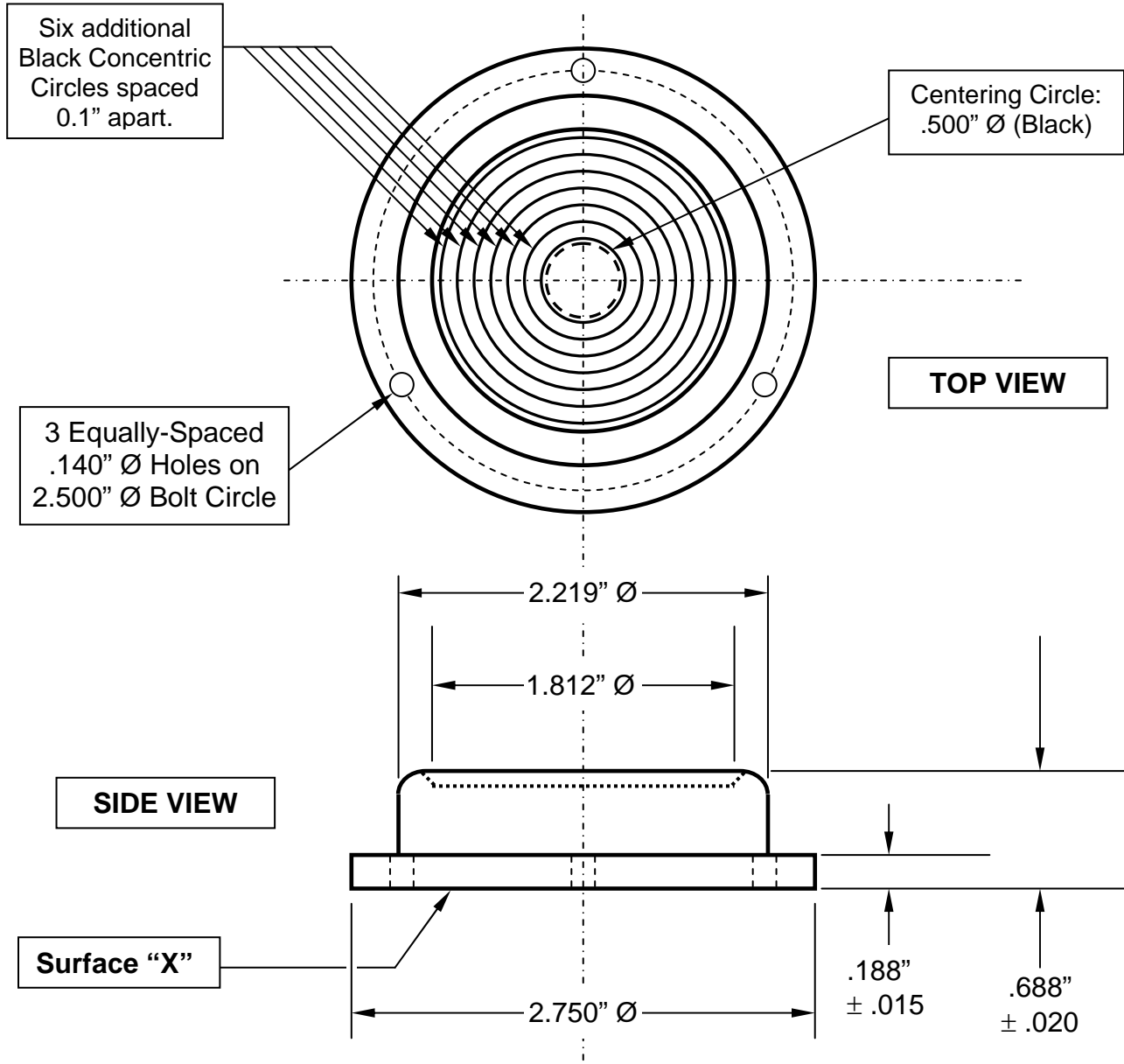
MATERIAL:

Housing: Brass
Vial: Glass
FINISH on Housing:
Chrome Plate

FLUID: Mineral Spirits
COLOR of FLUID: Clear

TOLERANCES:

DECIMAL: $\pm .010"$
FRACTIONAL: $\pm 1/64"$
ANGULAR $\pm 1^\circ$



GEIER & BLUHM, INC.
594 River Street
Troy, NY 12180
USA

DRAWN BY: DAVID OSTER

Scale: NONE

**MOUNTED
CIRCULAR LEVEL**

DATE: July 8, 1982

DRAWING NUMBER

2-24049