

SYMBOL	REVISION REQUIRED	DATE	AUTH.
A	Tolerance & Notes	10/63	H.F.O.
B	Redrawn, hole size was # 29 Drill	2/98	D.B.O.
C	Redrawn and revised notes.	1/08/2008	D.B.O.

Notes:

1. All Dimensions in inches
2. SENSITIVITY: 1 minutes for each 0.1" movement of the bubble. Tolerance on sensitivity is +/- 0.5 min.
3. Part or all of the finish maybe removed from Surface "X" during calibration

MATERIAL:

Housing: Brass
Vial: Glass

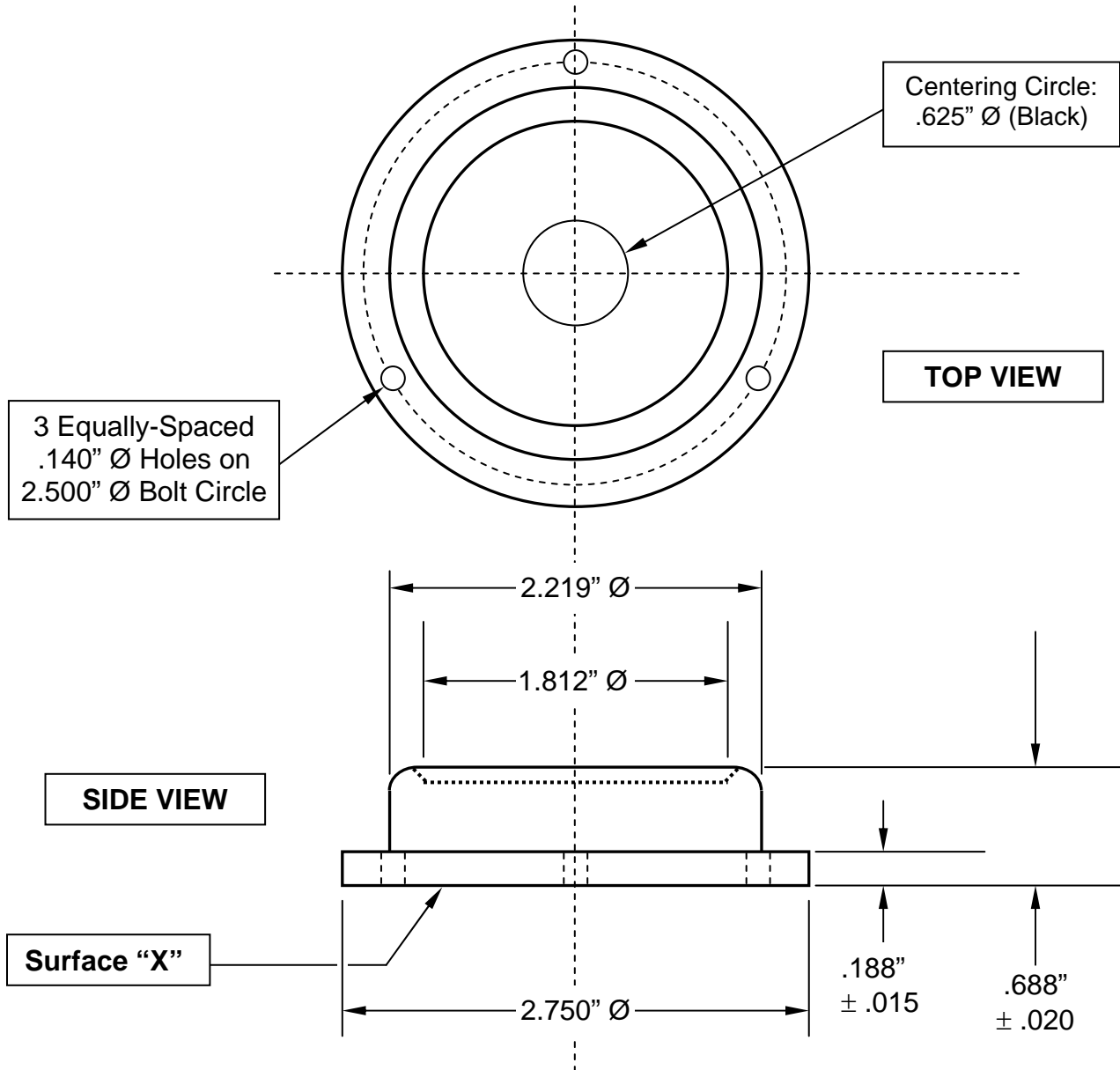
FINISH on Housing:
Chrome Plate

FLUID: Mineral Spirits

COLOR of FLUID: Clear

TOLERANCES:

DECIMAL: ± .010"
FRACTIONAL: ± 1/64"
ANGULAR ± 1°



GEIER & BLUHM, INC.
594 River Street
Troy, NY 12180
USA

DRAWN BY: DAVID OSTER

DATE: January 8, 2008

Scale: NONE

DRAWING NUMBER

**MOUNTED
CIRCULAR LEVEL**

2-24034