

SYMBOL	REVISION REQUIRED	DATE	AUTH.
A	Add note and tolerances	7/08/1982	R.L.O.
B	Redrawn	7/09/1982	R.L.O.
C	Redrawn and revised notes	7/05/2004	D.B.O.
D	Redrawn	1/8/2008	D.B.O.

Notes:

- All Dimensions in inches
- SENSITIVITY: 10 minutes per division, Range: $\pm 1^\circ$
Tolerance on sensitivity is $\pm 10\%$.
- Part or all of the finish maybe removed from Surface "X" during calibration

MATERIAL:

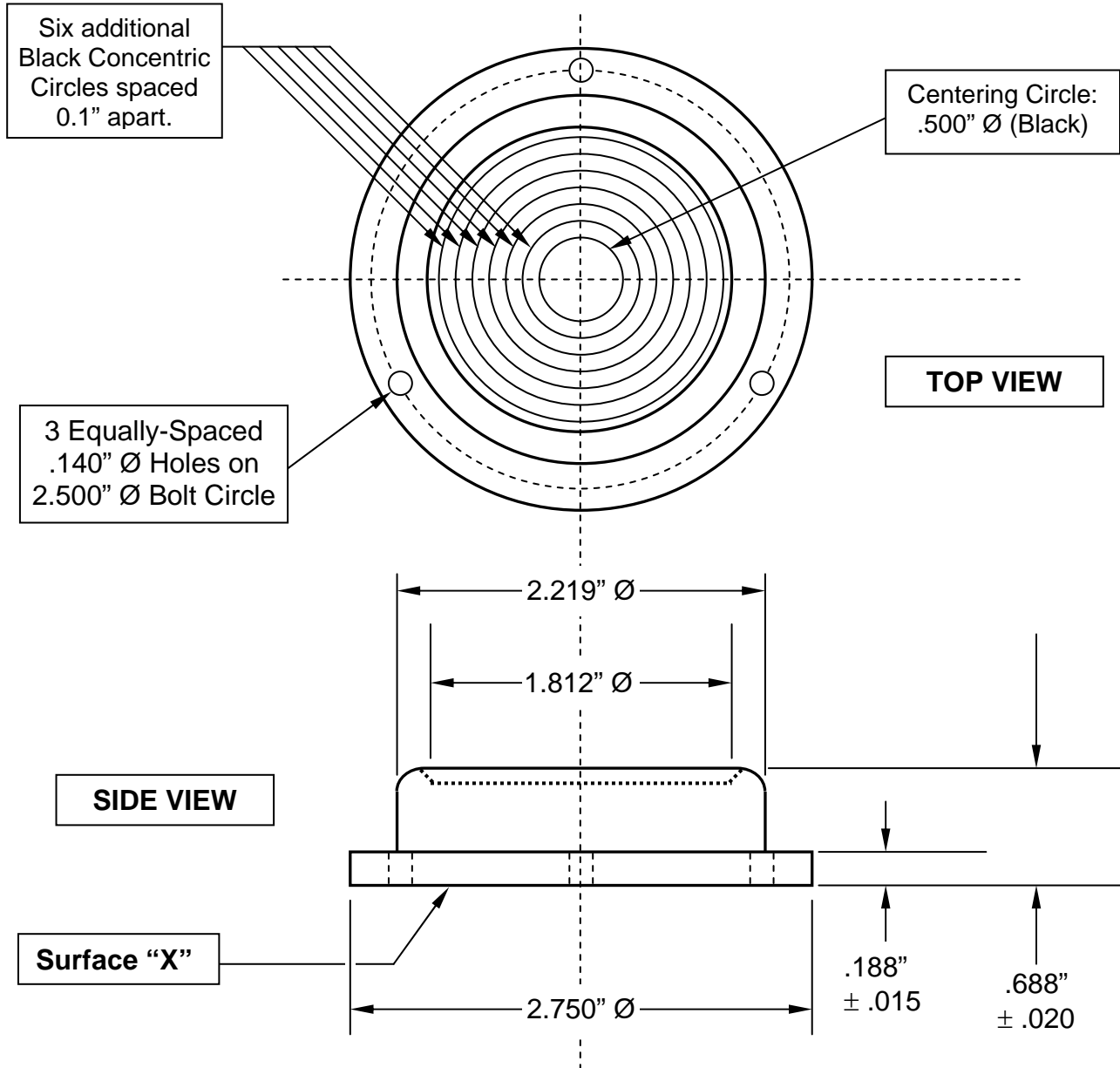
Housing: Brass
Vial: Glass

FINISH on Housing:
Chrome Plate

FLUID: Mineral Spirits
COLOR of FLUID: Clear

TOLERANCES:

DECIMAL: $\pm .010"$
FRACTIONAL: $\pm 1/64"$
ANGULAR $\pm 1^\circ$



GEIER & BLUHM, INC.
594 River Street
Troy, NY 12180
USA

DRAWN BY: DAVID OSTER

DATE: July 8, 1982

Scale: NONE

DRAWING NUMBER

**MOUNTED
CIRCULAR LEVEL**

2-24022