

SYMBOL	REVISION REQUIRED	DATE	AUTH.
A	Add note and tolerances	7/08/1982	R.L.O.
B	Redrawn	7/09/1982	R.L.O.
C	Redrawn and revised notes	7/05/2004	D.B.O.
D	Redrawn	1/8/2008	D.B.O.

**Notes:**

1. All Dimensions in inches
2. SENSITIVITY: 30 minutes per division, Range:  $\pm 3^\circ$   
Tolerance on sensitivity is +/- 10%.
3. Part or all of the finish maybe removed from Surface "X" during calibration

**MATERIAL:**

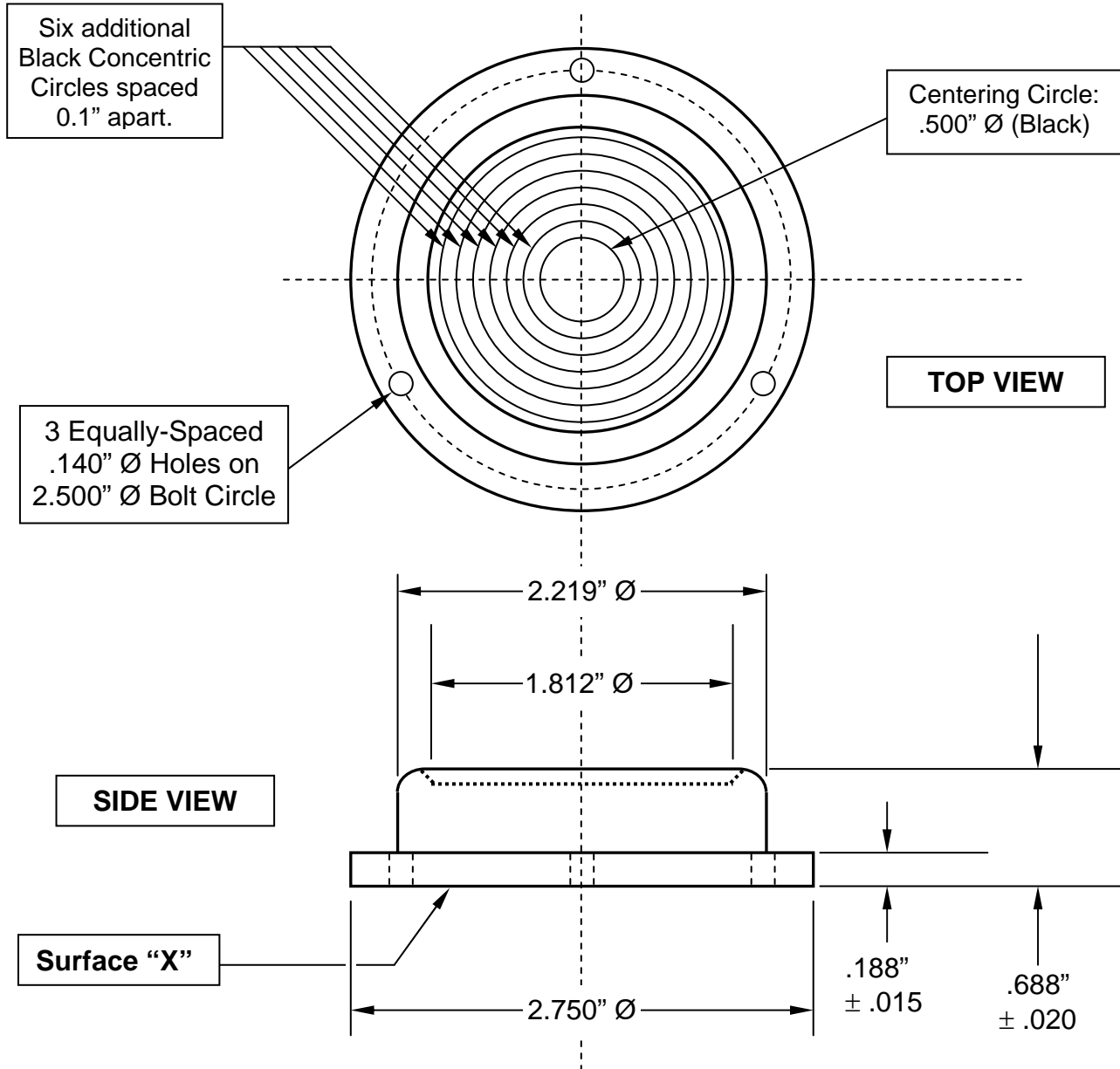
Housing: Brass  
Vial: Glass

**FINISH on Housing:**  
Chrome Plate

**FLUID:** Mineral Spirits  
**COLOR of FLUID:** Clear

**TOLERANCES:**

DECIMAL:  $\pm .010"$   
FRACTIONAL:  $\pm 1/64"$   
ANGULAR  $\pm 1^\circ$



GEIER & BLUHM, INC.  
594 River Street  
Troy, NY 12180  
USA

DRAWN BY: DAVID OSTER

DATE: July 8, 1982

Scale: NONE

DRAWING NUMBER

**MOUNTED  
CIRCULAR LEVEL**

**2-24016**