

SYMBOL	REVISION REQUIRED	DATE	AUTH.
A	Tolerances & Note 1	10/1963	H.F.O.
B	Redrawn, revised notes	10/19/2004	D.B.O.

**Notes:**

1. All Dimensions in inches
2. SENSITIVITY: 10 minutes for each .1" movement of the bubble. Tolerance on sensitivity is 10%
3. Part or all of the finish maybe removed from Surface "X" during calibration.

**MATERIAL:** Housing: Brass  
Vial: Glass

**FINISH on Housing:** Chrome

**FLUID:** Mineral Spirits

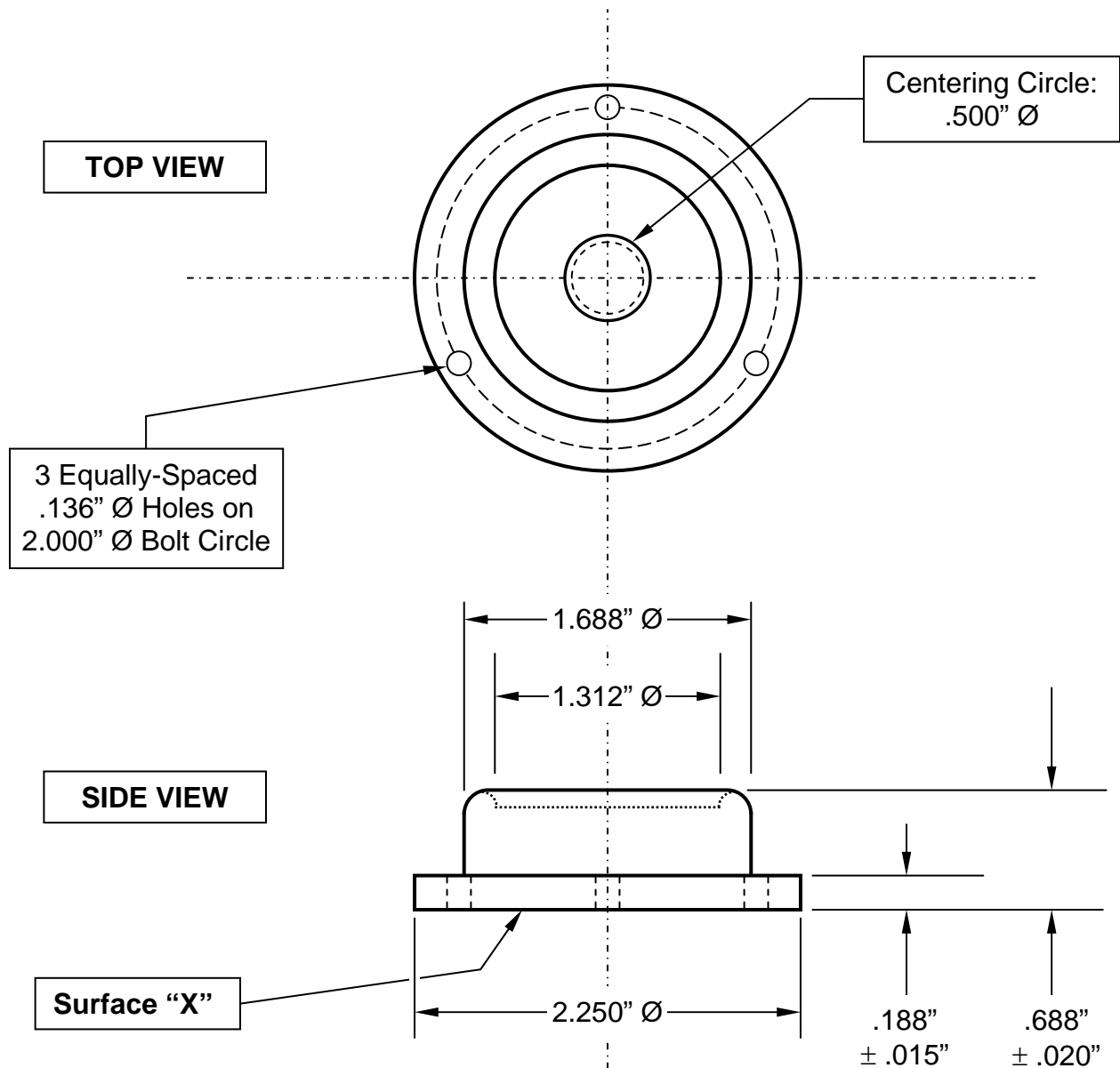
**COLOR of FLUID:** Clear

**TOLERANCES:**

Decimal: +/- .010"

Fractional: ± 1/64"

Angular: ± 1/2°



GEIER & BLUHM, INC.  
594 River Street  
Troy, NY 12180  
USA

DRAWN BY: DAVID OSTER

Scale: NONE

**MOUNTED  
CIRCULAR LEVEL**

DATE: October 18, 2004

DRAWING NUMBER

**2-20000**