

SYMBOL	REVISION REQUIRED	DATE	AUTH.

Notes:

1. All Dimensions in inches
2. SENSITIVITY: 20 minutes/.1"
Tolerance on sensitivity is +/- 10 %
3. Part or all of the finish maybe removed from Surface "X" during calibration

MATERIAL: Housing: Brass
Vial: Glass

FINISH on Housing: Chrome

FLUID: Mineral Spirits

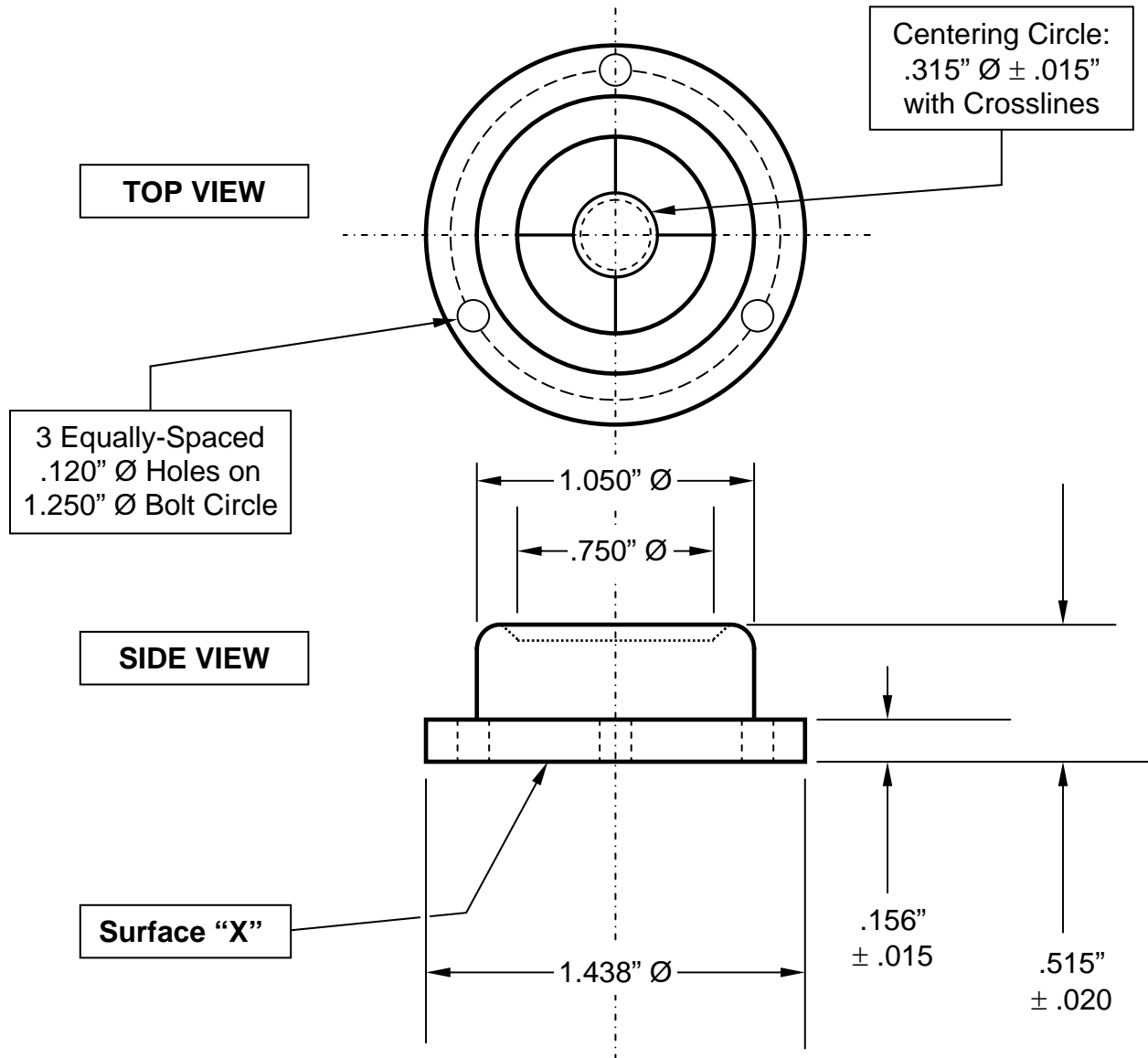
COLOR of FLUID: Clear

TOLERANCES:

Decimal: +/- .010"

Fractional: ± 1/64"

Angular: ± ½ °



GEIER & BLUHM, INC.
594 River Street
Troy, NY 12180
USA

DRAWN BY: DAVID OSTER

DATE: August 12, 2009

Scale: NONE

DRAWING NUMBER

**MOUNTED
CIRCULAR LEVEL**

2-14054