

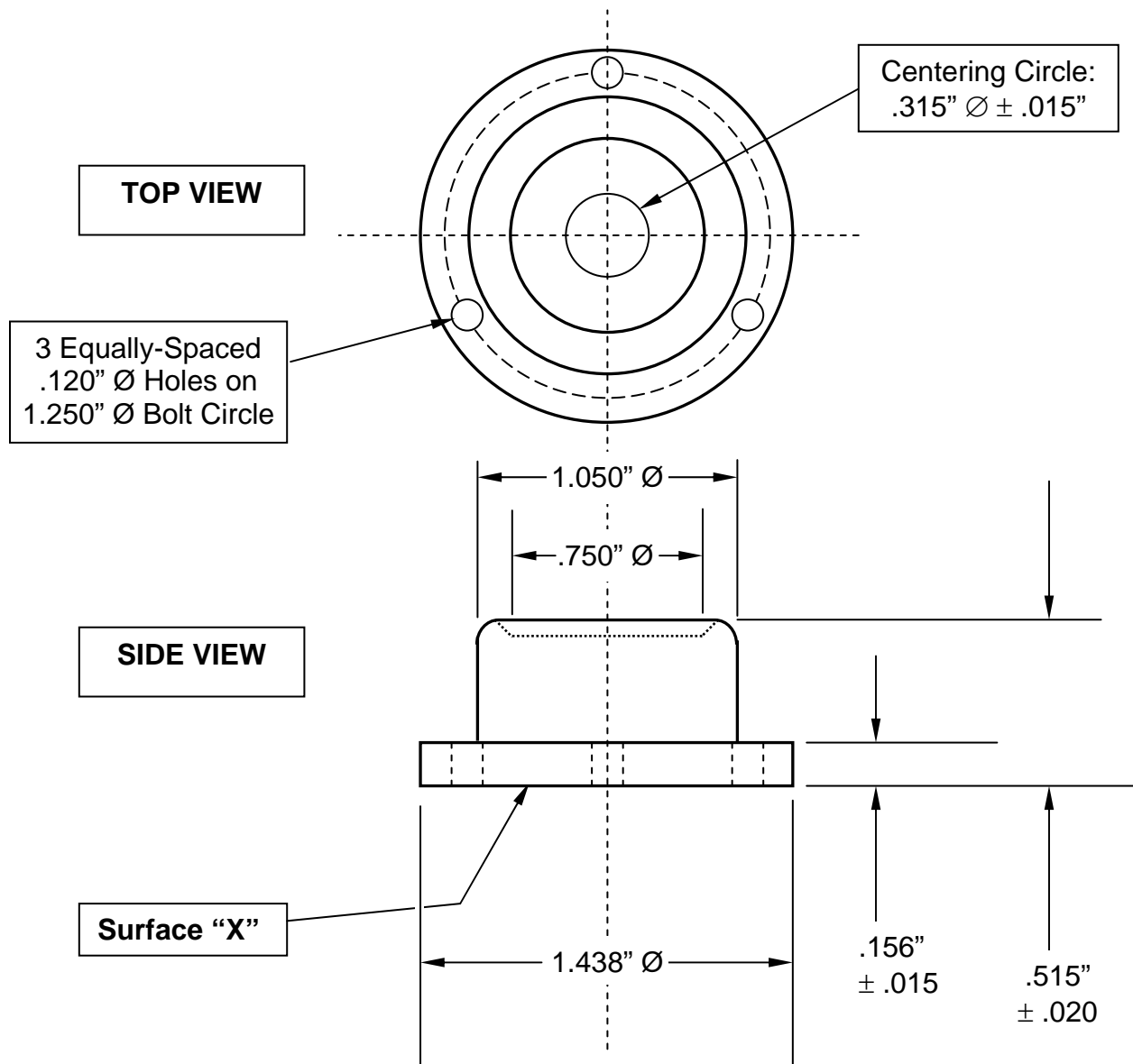
SYMBOL	REVISION REQUIRED	DATE	AUTH.

Notes:

1. All Dimensions in inches
2. SENSITIVITY: 20 minutes/.1"
Tolerance on sensitivity is +/- 10 %
3. Part or all of the finish maybe removed from Surface "X" during calibration

MATERIAL: Housing: Brass
Vial: Glass
FINISH on Housing: Black Lacquer Paint
FLUID: Mineral Spirits
COLOR of FLUID: Clear

TOLERANCES:
Decimal: +/- .010"
Fractional: ± 1/64"
Angular: ± ½ °



GEIER & BLUHM, INC. 594 River Street Troy, NY 12180 USA	DRAWN BY: DAVID OSTER	DATE: December 19, 2007
	Scale: NONE	DRAWING NUMBER 2-14050
	MOUNTED CIRCULAR LEVEL	