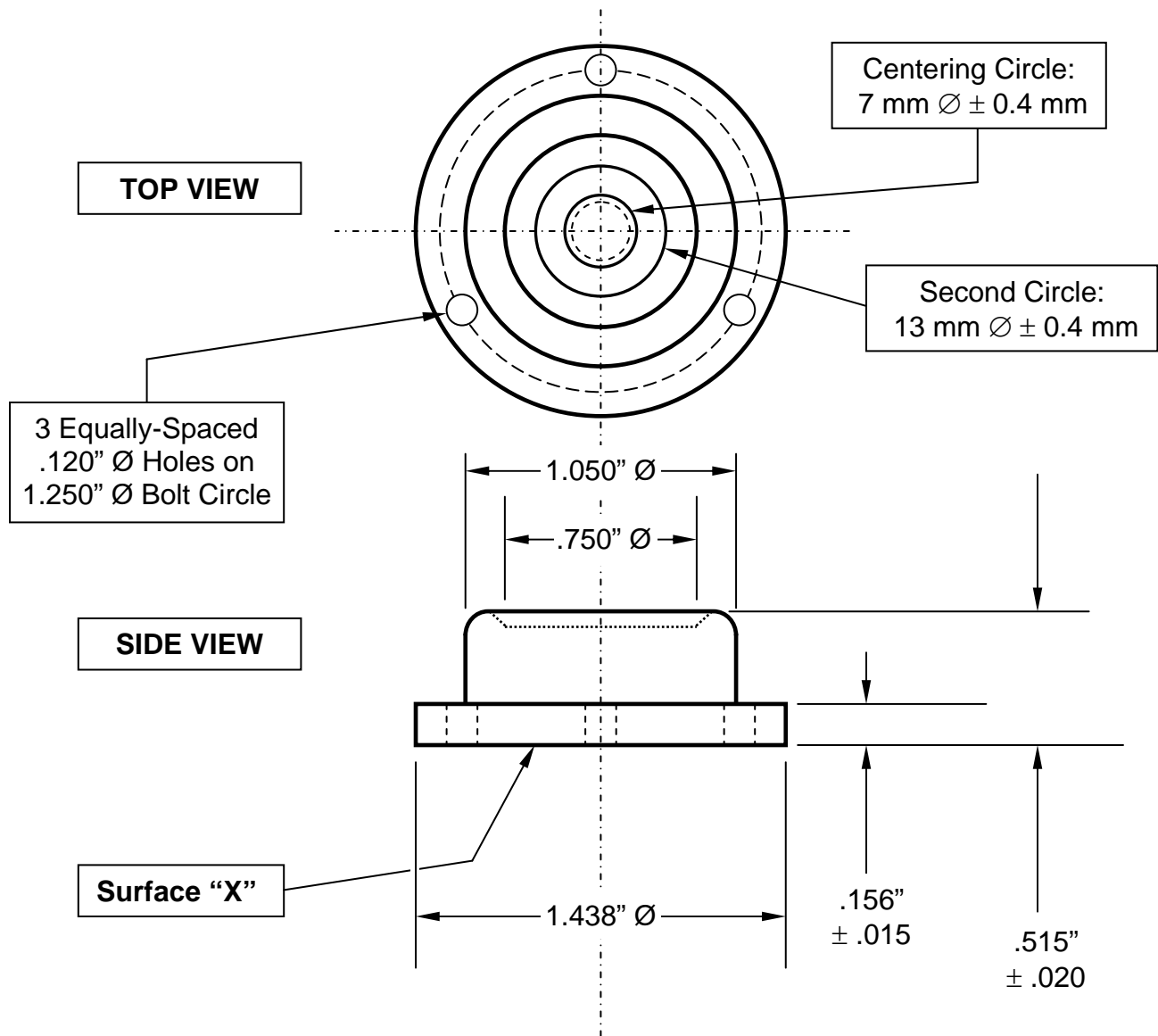


SYMBOL	REVISION REQUIRED	DATE	AUTH.
A	Redrawn & Revise notes	11/5/2004	D.B.O.

Notes:

1. All Dimensions in inches except where noted otherwise.
2. SENSITIVITY: 24 minutes/Division
Tolerance on sensitivity is $\pm 10\%$
3. Part or all of the finish maybe removed from Surface "X" during calibration

MATERIAL: Housing: Brass
Vial: Glass
FINISH on Housing: Chrome
FLUID: Mineral Spirits
COLOR of FLUID: Clear



Tolerances: (except as noted)	Decimal $\pm .010$"	Fractional $\pm 1/64$"	Angular $\pm 1^\circ$
GEIER & BLUHM, INC. 594 River Street Troy, NY 12180 USA	DRAWN BY: DAVID OSTER		DATE: June 25, 1982
	Scale: NONE		DRAWING NUMBER
	MOUNTED CIRCULAR LEVEL		2-14010