

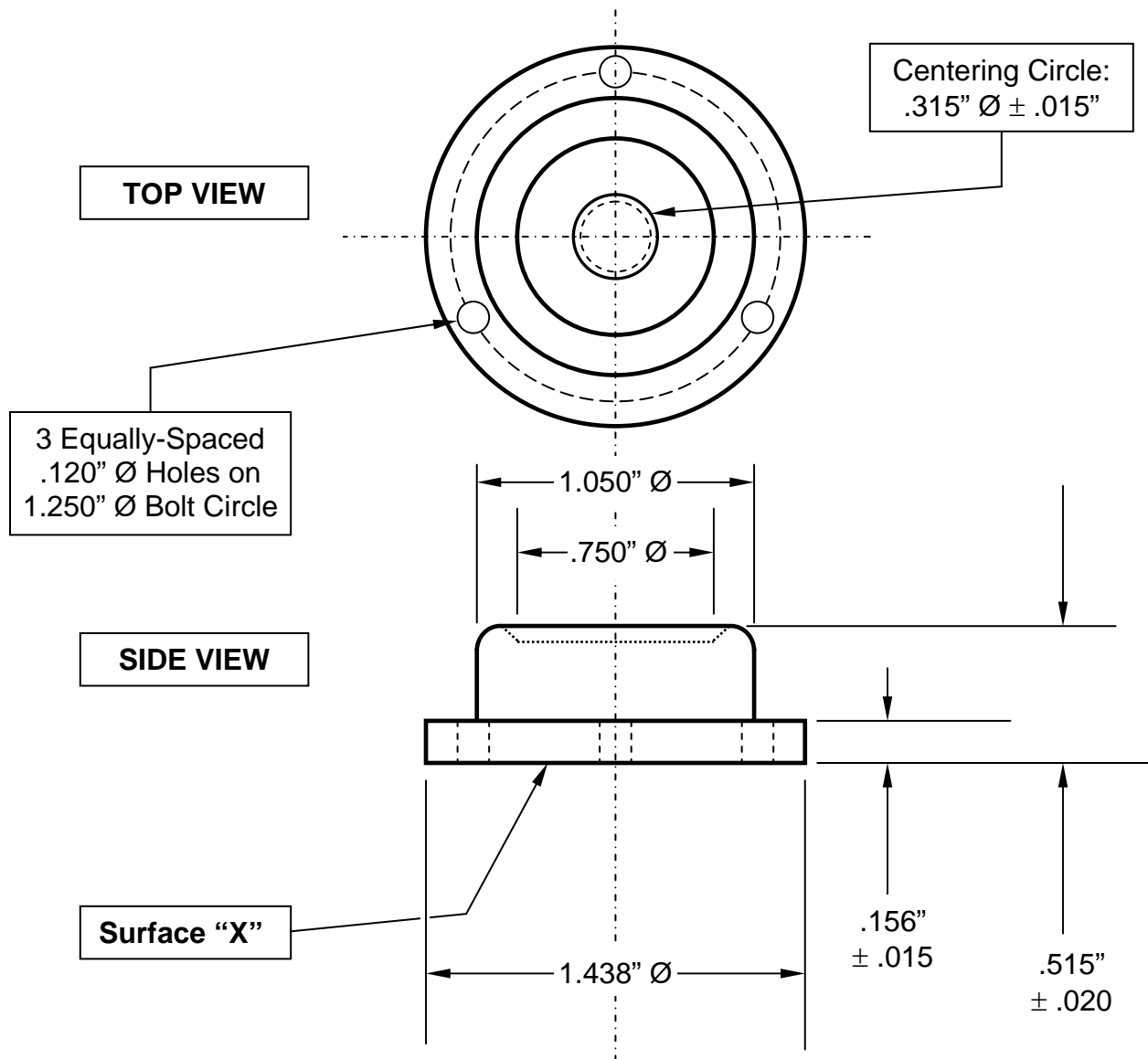
SYMBOL	REVISION REQUIRED	DATE	AUTH.
A	Added Tolerances, Dimension & Note	10/63	H.F.O.
B	Redrawn & Revise notes	5/28/2004	D.B.O.

Notes:

1. All Dimensions in inches
2. SENSITIVITY: 20 minutes/.1"
Tolerance on sensitivity is +/- 10 %
3. Part or all of the finish maybe removed from Surface "X" during calibration

MATERIAL: Housing: Brass
Vial: Glass
FINISH on Housing: Chrome
FLUID: Mineral Spirits
COLOR of FLUID: Clear

TOLERANCES:
Decimal: +/- .010"
Fractional: ± 1/64"
Angular: ± ½ °



GEIER & BLUHM, INC.
594 River Street
Troy, NY 12180
USA

DRAWN BY: DAVID OSTER

DATE: January 13, 1960

Scale: NONE

DRAWING NUMBER

**MOUNTED
CIRCULAR LEVEL**

2-14000