

SYMBOL	REVISION REQUIRED	DATE	AUTH.

Notes:

1. SENSITIVITY: 45 minutes / .1" movement of the bubble
Tolerance on sensitivity is +/- 10%.
2. Part or all of the finish maybe removed from Surface "X" during calibration
3. All dimensions in inches.

MATERIAL: Housing: Delrin, Black
Vial: Glass

FINISH on Housing: none

FLUID: Mineral Spirits

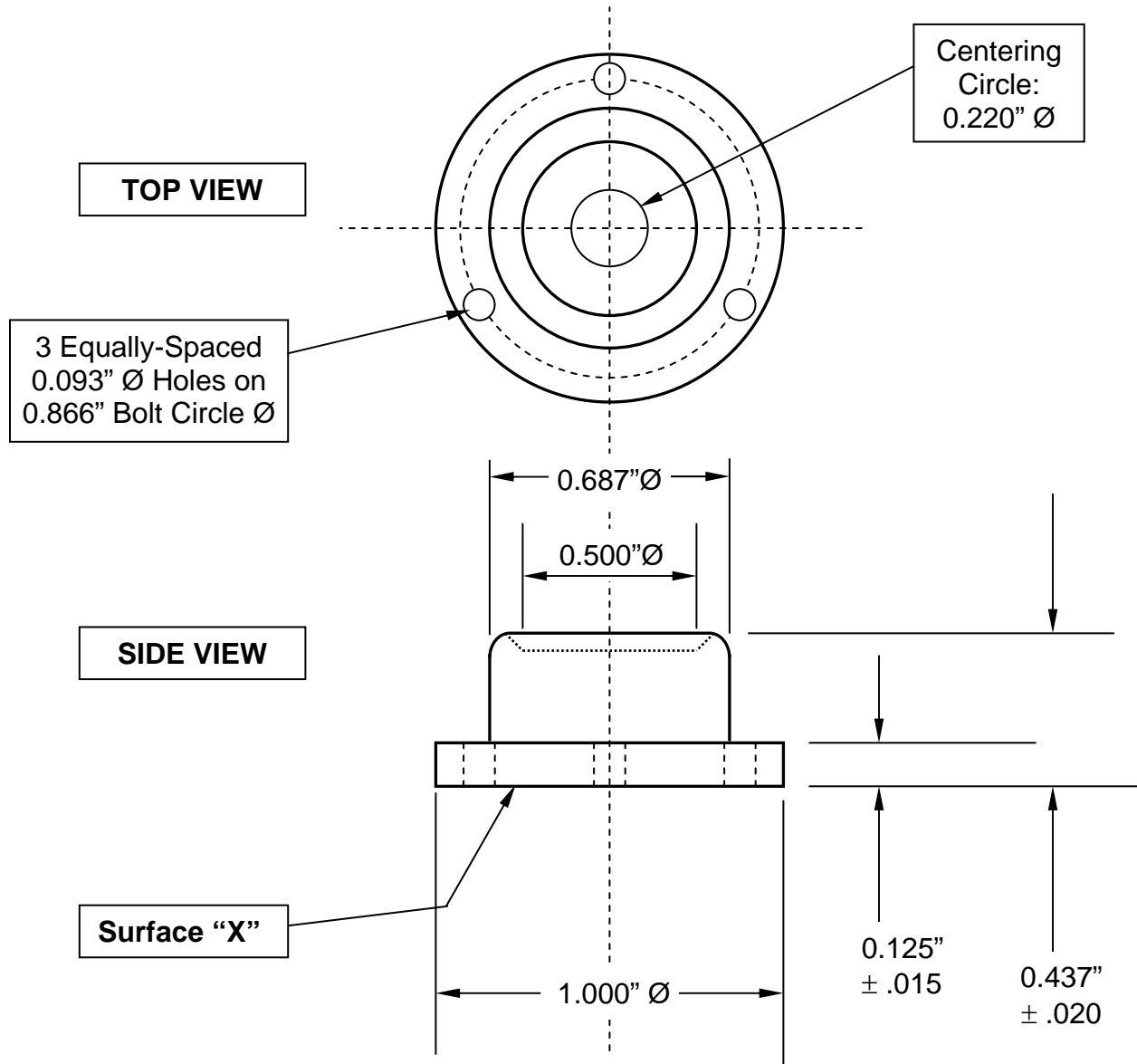
COLOR of FLUID: Clear

TOLERANCES:

Decimal: ± .010"

Fractional: ± 1/64"

Angular: ± 1°



GEIER & BLUHM, INC.
594 River Street
Troy, NY 12180
USA

DRAWN BY: DAVID OSTER

DATE: January 9, 2008

Scale: NONE

DRAWING NUMBER

**MOUNTED
CIRCULAR LEVEL**

2-10500