

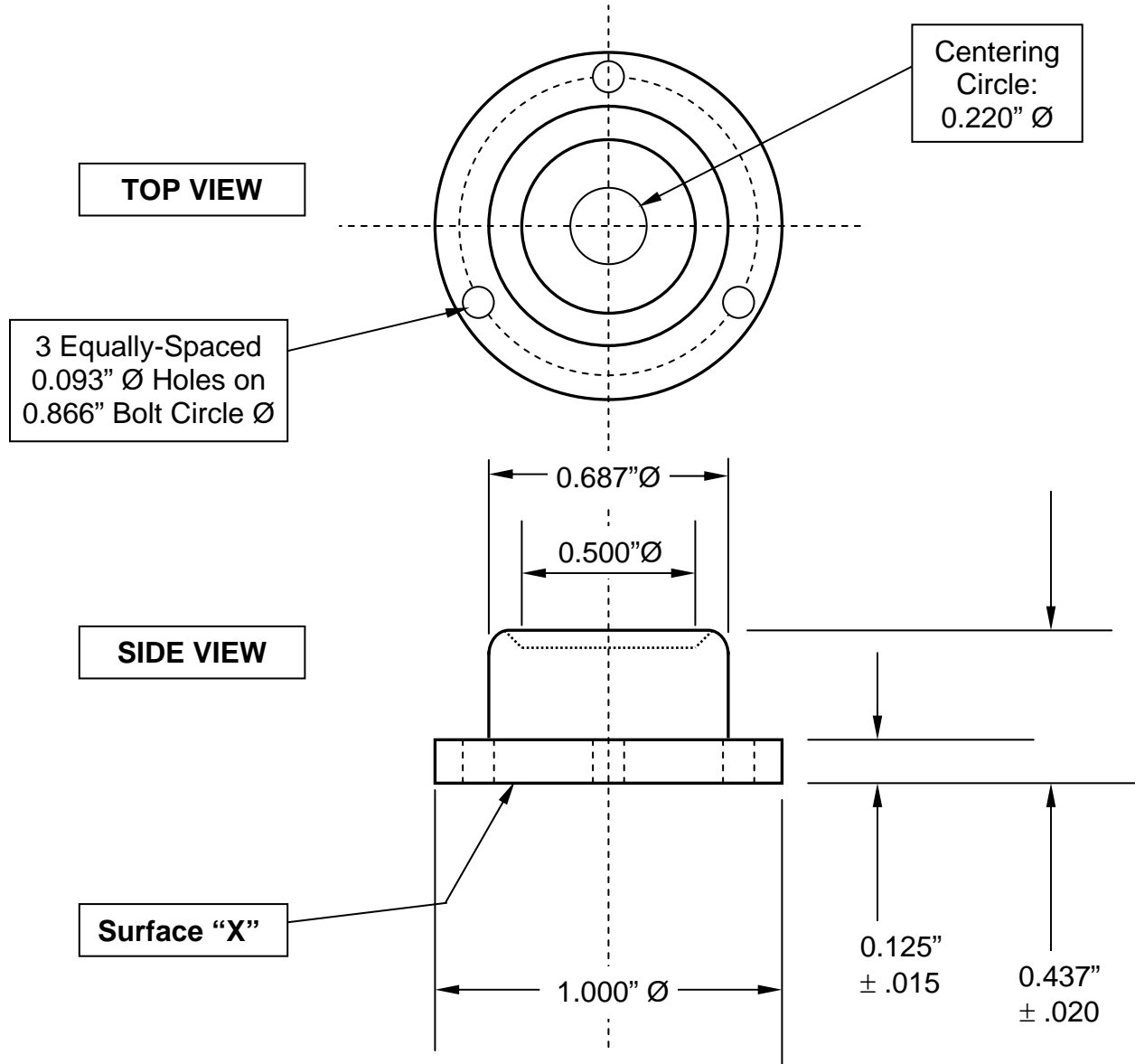
SYMBOL	REVISION REQUIRED	DATE	AUTH.
A	Add Tolerances & Notes	10/63	H.F.O.
B	Hole $\varnothing$ was 42 Drill, redrawn, revised notes	8/25/04	D.B.O.

**Notes:**

1. SENSITIVITY: 45 minutes / .1" movement of the bubble  
Tolerance on sensitivity is +/- 10%.
2. Part or all of the finish maybe removed from Surface "X" during calibration
3. All dimensions in inches.
4. Finish on Housing: Black Lacquer Paint

**MATERIAL:** Housing: Brass  
Vial: Glass  
**FLUID:** Mineral Spirits  
**COLOR of FLUID:** Clear

**TOLERANCES:**  
Decimal:  $\pm .010$ "  
Fractional:  $\pm 1/64$ "  
Angular:  $\pm 1^\circ$



GEIER & BLUHM, INC.  
594 River Street  
Troy, NY 12180  
USA

DRAWN BY: DAVID OSTER

DATE: December 17, 1959

Scale: NONE

DRAWING NUMBER

**MOUNTED  
CIRCULAR LEVEL**

**2-10050**