

SYMBOL	REVISION REQUIRED	DATE	AUTH.
A	Hole $\emptyset$ was 42 Drill, redrawn, revised notes	12/12/2007	D.B.O.

**Notes:**

1. SENSITIVITY: 45 minutes / .1" movement of the bubble  
Tolerance on sensitivity is +/- 10%.
2. Part or all of the finish maybe removed from Surface "X" during calibration
3. All dimensions in inches.

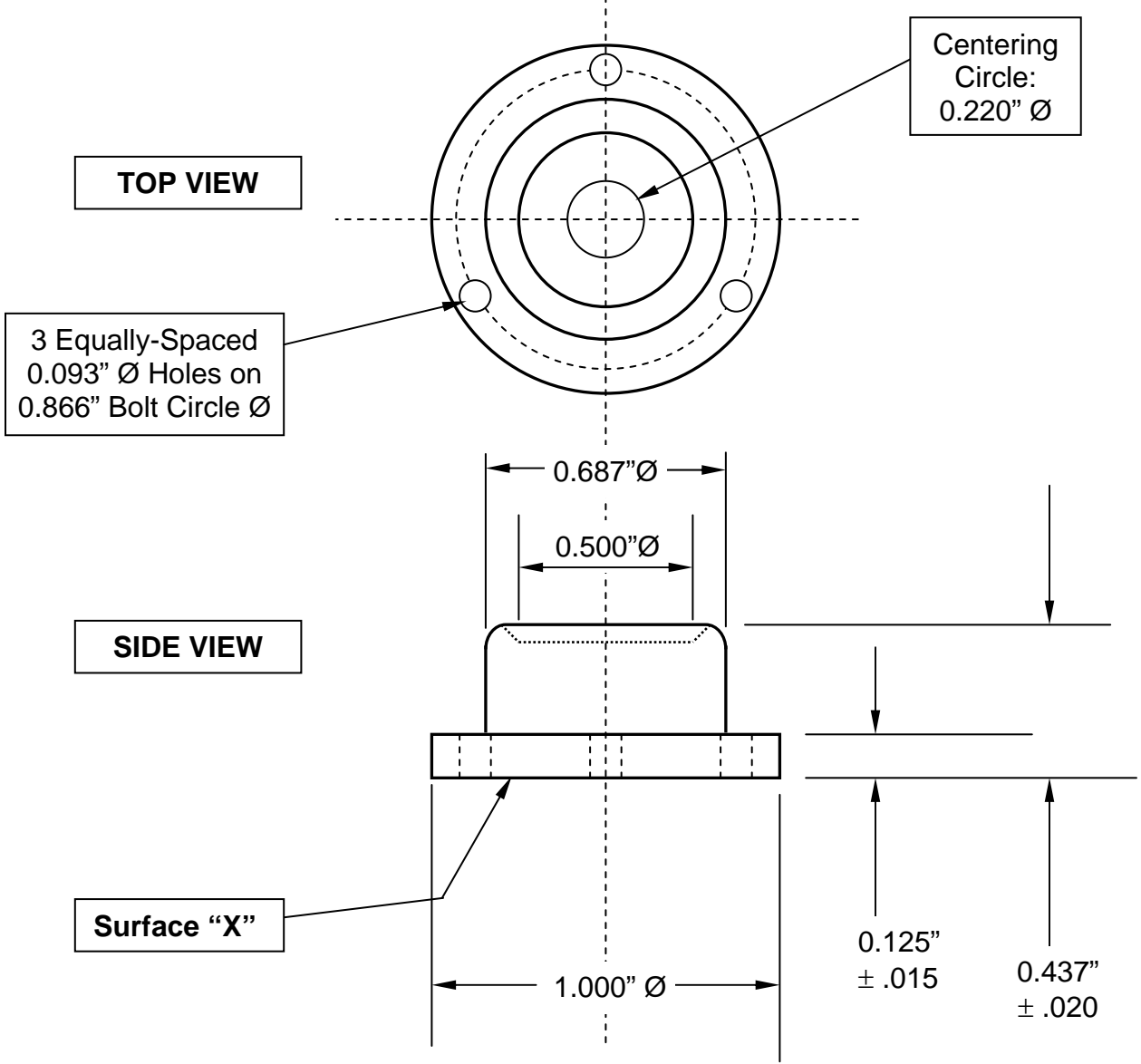
**MATERIAL:** Housing: Aluminum  
Vial: Glass

**FINISH on Housing:** Black Anodize

**FLUID:** Mineral Spirits

**COLOR of FLUID:** Clear

**TOLERANCES:**  
Decimal:  $\pm .010$ "  
Fractional:  $\pm 1/64$ "  
Angular:  $\pm 1^\circ$



<b>GEIER &amp; BLUHM, INC.</b> 594 River Street Troy, NY 12180 USA	DRAWN BY: DAVID OSTER	DATE: June 24, 1982
	Scale: NONE	<b>DRAWING NUMBER</b> <b>2-10035</b>
	<b>MOUNTED</b> <b>CIRCULAR LEVEL</b>	