

SYMBOL	REVISION REQUIRED	DATE	AUTH.
A	Hole \emptyset was 42 Drill, redrawn, revised notes	3/18/05	D.B.O.

Notes:

1. SENSITIVITY: 30 minutes / Division, Range ± 1 degree.
Tolerance on sensitivity is $\pm 10\%$.
2. Part or all of the finish maybe removed from Surface "X" during calibration
3. All dimensions in inches.

MATERIAL: Housing: Brass
Vial: Glass

FINISH on Housing: Chrome Plate

FLUID: Mineral Spirits

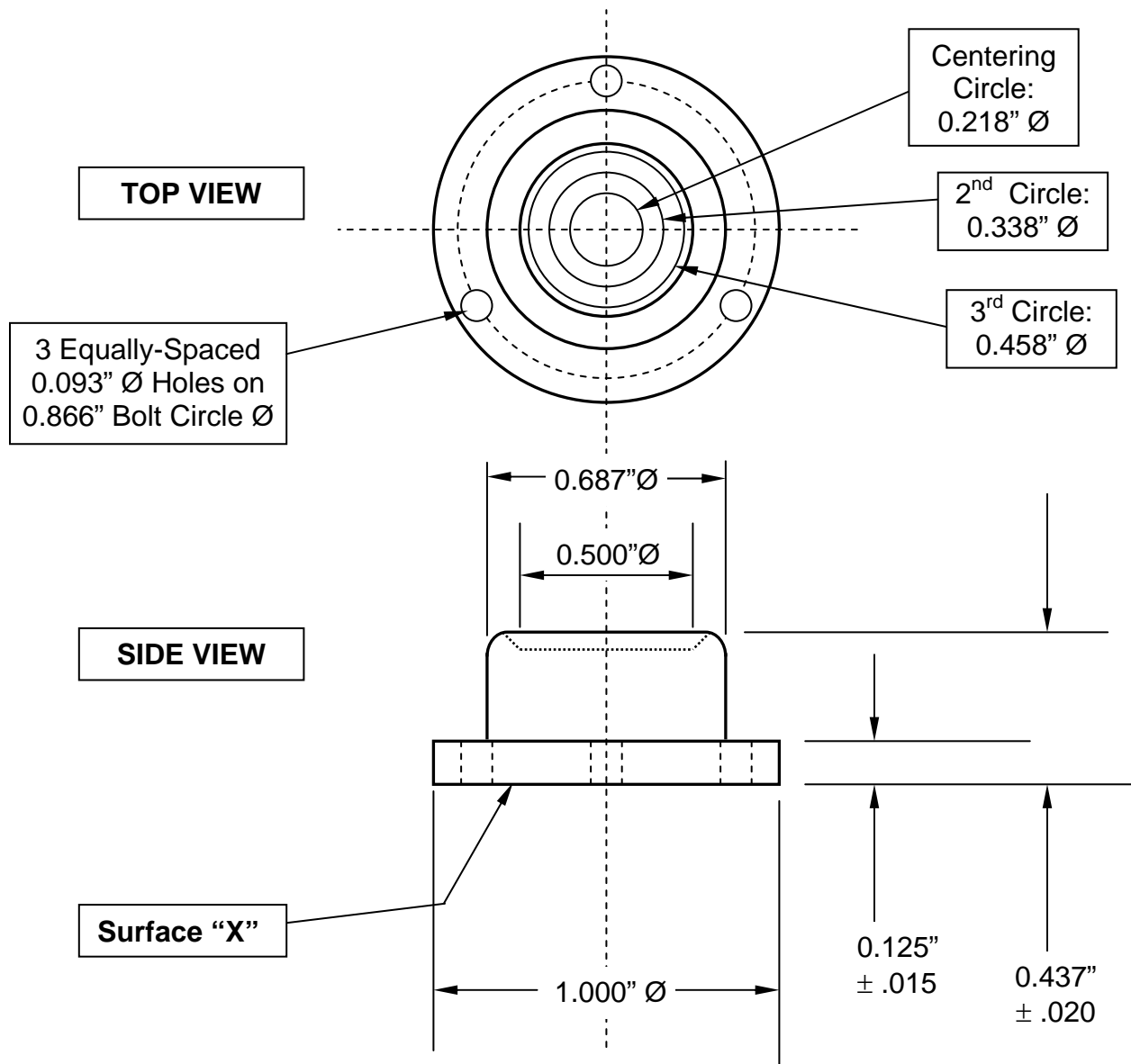
COLOR of FLUID: Clear

TOLERANCES:

Decimal: $\pm .010$ "

Fractional: $\pm 1/64$ "

Angular: $\pm 1^\circ$



GEIER & BLUHM, INC.
594 River Street
Troy, NY 12180
USA

DRAWN BY: DAVID OSTER

DATE: December 17, 1959

Scale: NONE

DRAWING NUMBER

**MOUNTED
CIRCULAR LEVEL**

2-10032