

SYMBOL	REVISION REQUIRED	DATE	AUTH.
A	Add Tolerances & Notes	10/63	H.F.O.
B	Hole $\varnothing$ was 42 Drill, redrawn	10/97	D.B.O.
C	Redrawn, revised notes	8/25/04	D.B.O.

**Notes:**

1. SENSITIVITY: 10 minutes / .1" movement of the bubble  
Tolerance on sensitivity is +/- 10%.
2. Part or all of the finish maybe removed from Surface "X" during calibration
3. All dimensions in inches.

**MATERIAL:** Housing: Brass  
Vial: Glass

**FINISH on Housing:** Chrome Plate

**FLUID:** Methanol

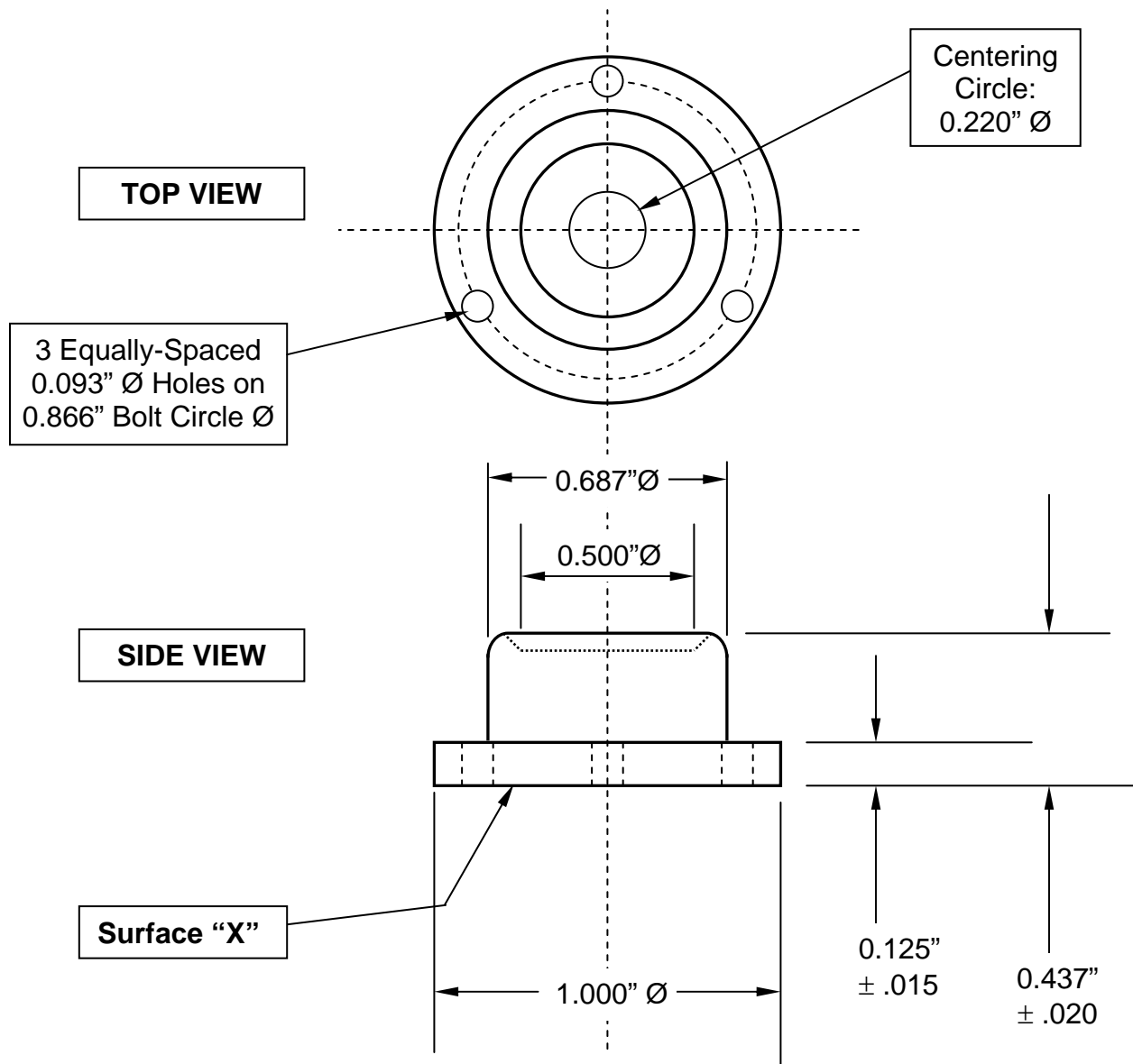
**COLOR of FLUID:** Clear

**TOLERANCES:**

Decimal:  $\pm .010$ "

Fractional:  $\pm 1/64$ "

Angular:  $\pm 1^\circ$



GEIER & BLUHM, INC.  
594 River Street  
Troy, NY 12180  
USA

DRAWN BY: DAVID OSTER

DATE: December 17, 1959

Scale: NONE

DRAWING NUMBER

**MOUNTED  
CIRCULAR LEVEL**

**2-10016**