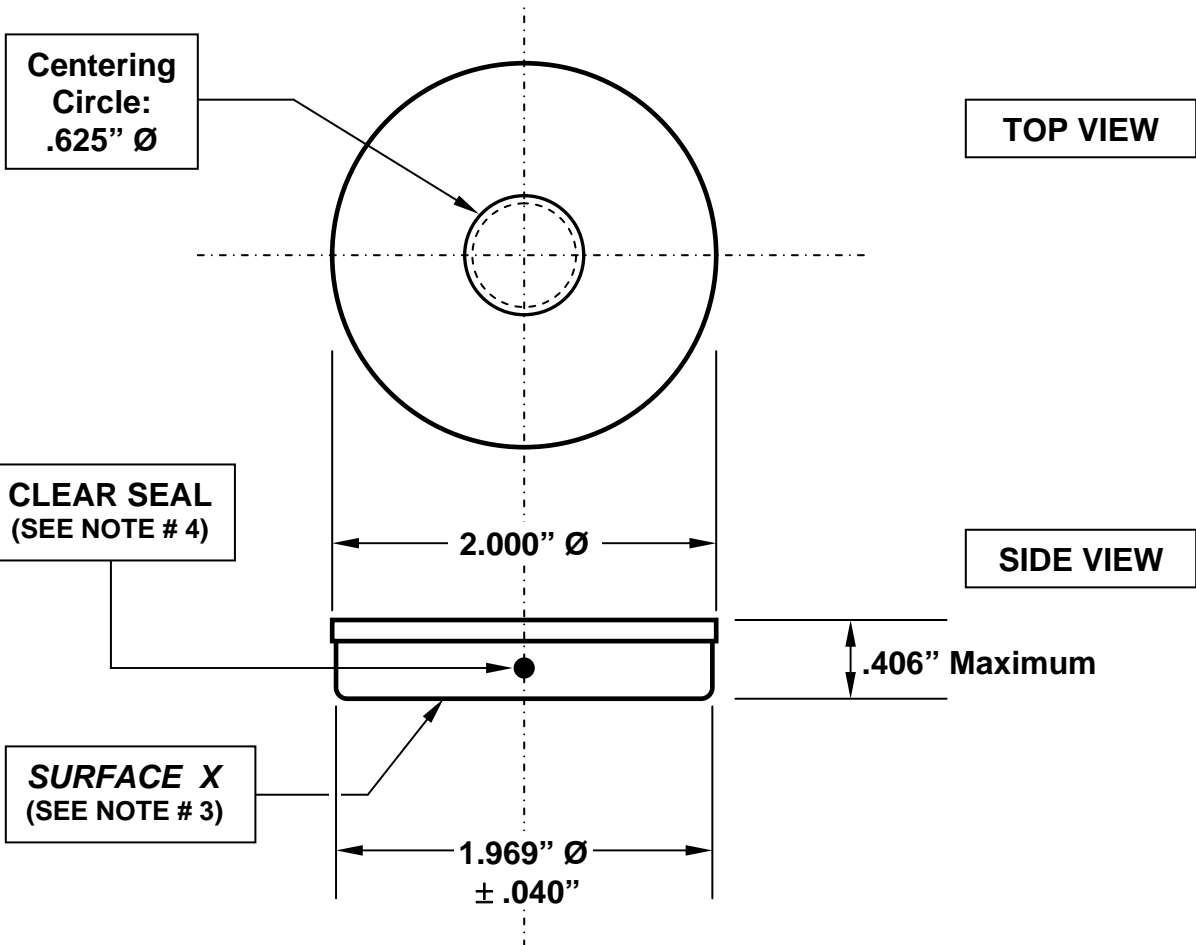


SYMBOL	REVISION REQUIRED	DATE	AUTH.

Notes:

- All dimensions are in inches.
- Sensitivity 10 minutes per 0.1 inch movement of the bubble.
Tolerance on sensitivity is $\pm 10\%$.
- Surface X** cannot be used as the level reference surface. This surface may **NOT** be perfectly flat.
- Clear Seal is not flush with respect to the 1.969" \varnothing
- MATERIAL:** Glass
- FLUID:** Clear Mineral Spirits



Tolerances: (except as noted) Decimal $\pm .010$ " Fractional $\pm 1/64$ " Angular $\pm 1^\circ$

GEIER & BLUHM, INC.
594 River Street
Troy, NY 12180 USA

DRAWN BY: DAVID OSTER
SCALE: NONE
VIAL, CIRCULAR LEVEL

DATE: July 23, 2010
DRAWING NUMBER
1-32100