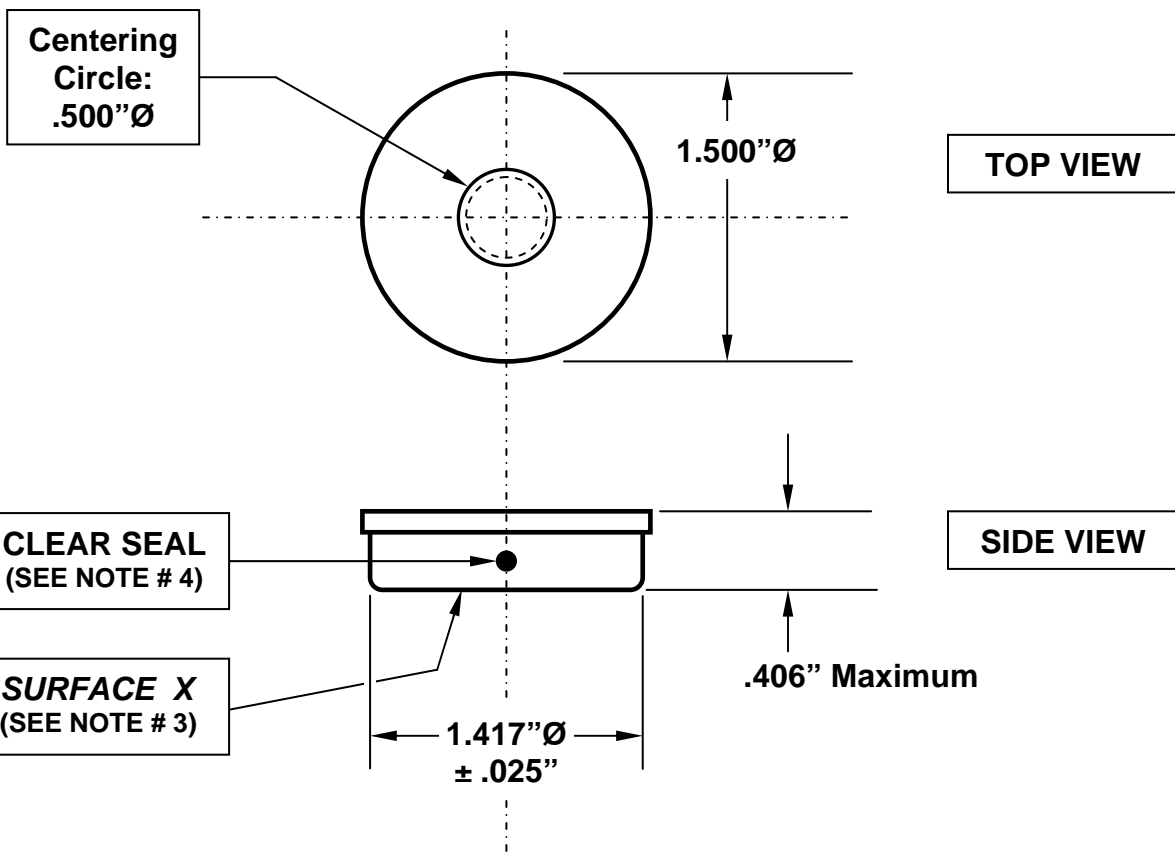


SYMBOL	REVISION REQUIRED	DATE	AUTH.

Notes:

1. All Dimensions in inches.
2. Sensitivity 10 minutes per 0.1 inch movement of the bubble.
Tolerance on sensitivity is $\pm 10\%$.
3. **Surface X** cannot be used as the level reference surface. This surface may **NOT** be perfectly flat.
4. Clear Seal is not flush with respect to the 1.417" \varnothing
5. MATERIAL: Glass
6. FLUID: Clear Mineral Spirits



Tolerances: (except as noted) GEIER & BLUHM, INC. 594 River Street Troy, NY 12180 USA	Decimal $\pm .010$ "	Fractional $\pm 1/64$ "	Angular $\pm 1^\circ$
	DRAWN BY: DAVID OSTER		DATE: July 23, 2010
	SCALE: NONE		DRAWING NUMBER
VIAL, CIRCULAR LEVEL			1-24100