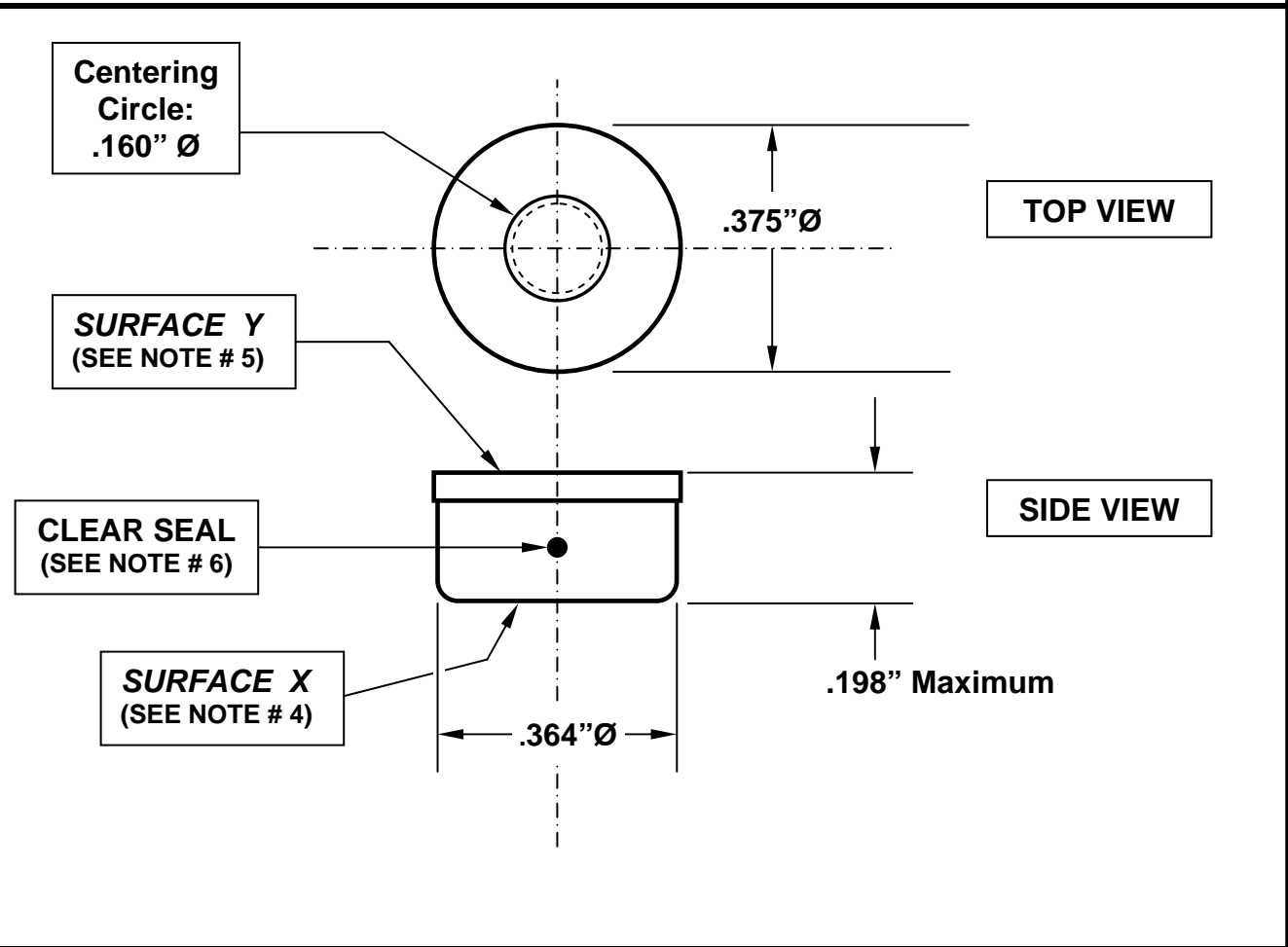


SYMBOL	REVISION REQUIRED	DATE	AUTH.
A	Redrawn, Revised notes	5/14/2007	D.B.O.

**Notes:**

1. All Dimensions in inches
2. Normal tolerances +/- 0.010 inch except where maximum dimensions are indicated or where specified otherwise.
3. Sensitivity: 130 minutes per .1" movement of the bubble.  
Tolerance on sensitivity is +/- 10 %.
4. **Surface X** cannot be used as the level reference surface. This surface may **NOT** be perfectly flat.
5. **Surface Y** may have a slight curve.
6. Clear Seal is not flush with respect to .364" Ø.
7. MATERIAL: Glass
8. FLUID: Clear Mineral Spirits



GEIER & BLUHM, INC.  
594 River Street  
Troy, NY 12180 USA

DRAWN BY: DAVID OSTER  
UNMOUNTED  
CIRCULAR LEVEL VIAL

DATE: December 27, 2005  
DRAWING NUMBER  
**1-06100**